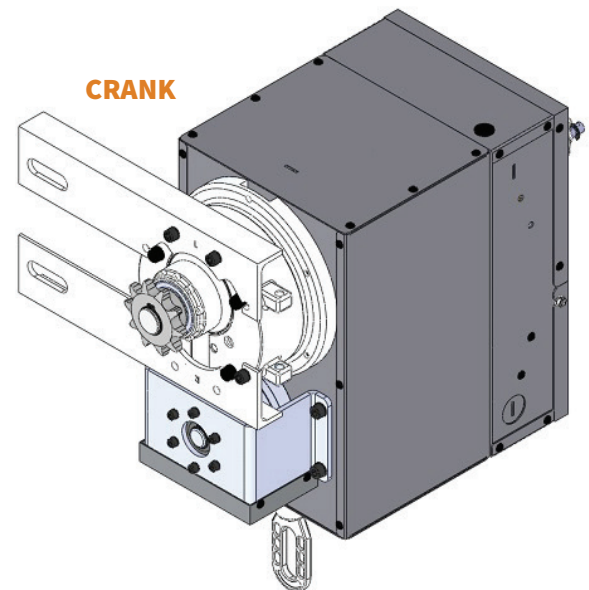
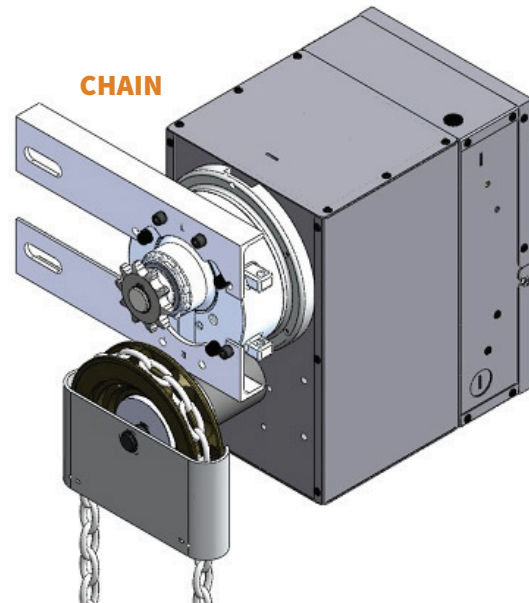


ALARMGARD[®] CHAIN & CRANK

Fail-Safe Fire Door Operator

STANDARD FEATURES AND BENEFITS

- ▶ Compact size and light weight
- ▶ Closed door detection - will not release door is already closed.
- ▶ Directly notified by the fire alarm control panels or local detectors
- ▶ Fail-safe system
- ▶ Eliminates mechanical spring tension loss and complex resetting procedures which allows routine testing to take minutes instead of hours
- ▶ Automatically resets to normal operation upon clearing of the alarm signal and/ or restoration of power
- ▶ Slow and controlled activated closing speed does not exceed 9"-12" per second
- ▶ Alarm door warning signal
- ▶ 10 second time delay upon activation
- ▶ Dramatic cost savings when inspecting and performing drop testing - no manual labor needed
- ▶ Supplemental fusible link activation plunger



OPTIONS

- ▶ Operator cover
- ▶ Wall mounted key switch for ease of drop testing

RECOMMENDED APPLICATIONS

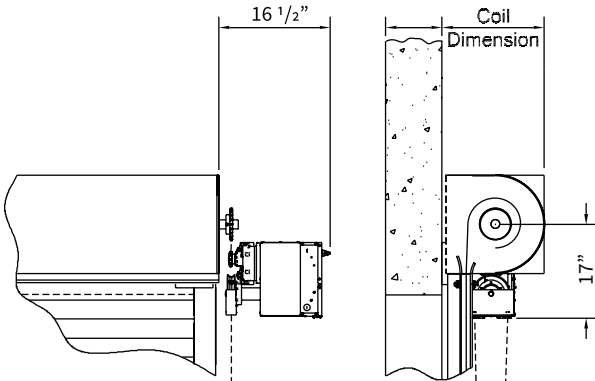
- ▶ Where manual testing and resetting is impractical or not desired
- ▶ When fire doors are installed in pedestrian through fares
- ▶ Installations in recessed areas

Model	Hand Chain	Crank
Voltage	115VAC, 24VAC, 24VDC	115VAC, 24VAC, 24VDC
Frequency	50Hz, 60Hz	50Hz, 60Hz
Standby Current	0.2A, 1.5A, 0.6A	0.2A, 1.5A, 0.6A
Alarm Current	0.4A, 1.8A, 1.2A	0.4A, 1.8A, 1.2A

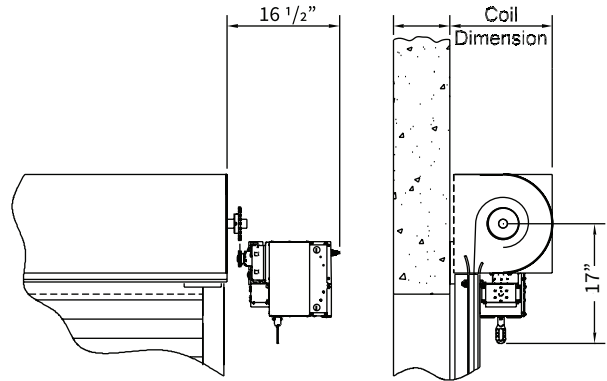
24V input can be 24VAC for an approved UL1481 regulated power supply. 18-gauge wiring recommended

FIRE DOOR MOUNTING OPTIONS

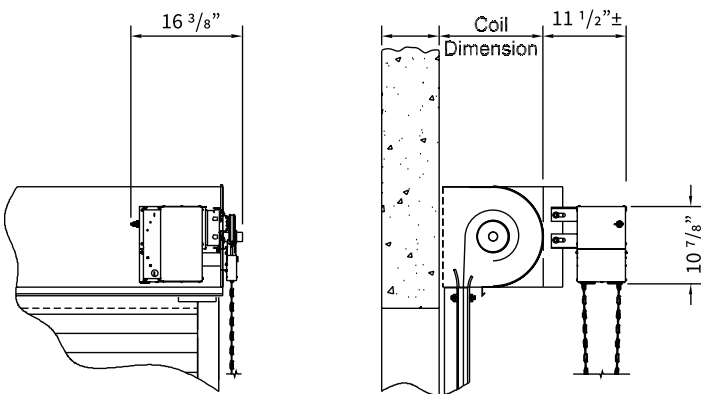
CHAIN WALL MOUNTED



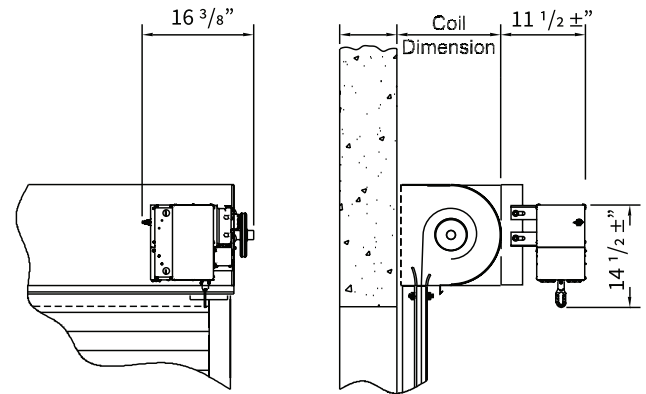
CRANK WALL MOUNTED



CHAIN FRONT OF COIL

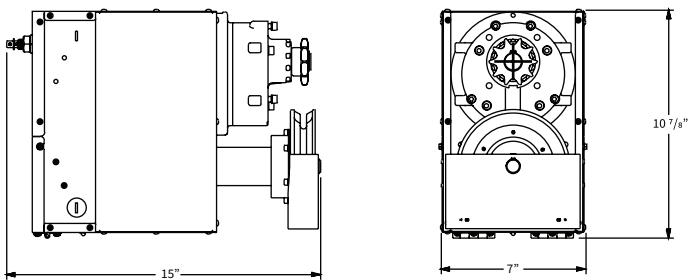


CRANK FRONT OF COIL



DETAILS AND CLEARANCES

CHAIN



CRANK

