

INDIRECT SPLASH-PROOF MG OPERATOR

Designed for NEMA 3R Applications

Standard Features and Benefits

- Splash-proof for indirect contact
- Gear-Head construction at the price of a belt-drive operator
- Compact operator/mounting configuration is ideal for coiling doors - operators always fit within the coil height dimension
- Consistent mounting, appearance and wiring - across full line of operator models
- Considerably lighter weight than competitive belt-drive and gear-head operator models
- Auxiliary chain for emergency operation, just pull to operate
- UL Listed
- Cycle counter
- Terminal connection for a monitored entrapment protection device
- Programmable timer to close
- 24 VDC close warning output signal
- Onboard Open/Close/Stop buttons
- Close override if the entrapment protection device short circuits

Option:

- Module for secondary monitored entrapment protection device



Standard Components

Drive Reduction: Lubricated, heavy-duty gears.

Auto-Reset Thermal Protection: Prevents motor burnout.

Limit Switches: Linear driven, fully adjustable screw-type cams.

Operator Safety Feature: Activating “Open,” “Stop” or a remote transmitter button stops the movement of a closing door.

Pre-Wired for Sensing Edge/Sensing Devices: A sensing edge, photo eyes or other detection devices can be easily connected. Standard one second time delay prior to reversing prevents damage to door and operator.

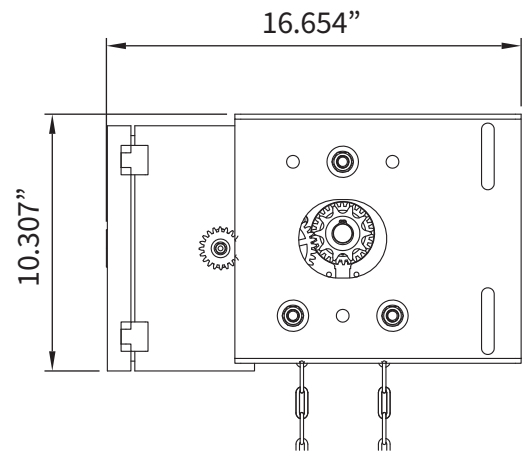
Standard Exterior Radio-Control Terminal: Provides for easy and fast connection of radio controls.

Brake: Maintenance free, solenoid actuated brake. No adjustment required for the life of the operator.

Bearings: Heavy-duty bearings are used at all rotation points.

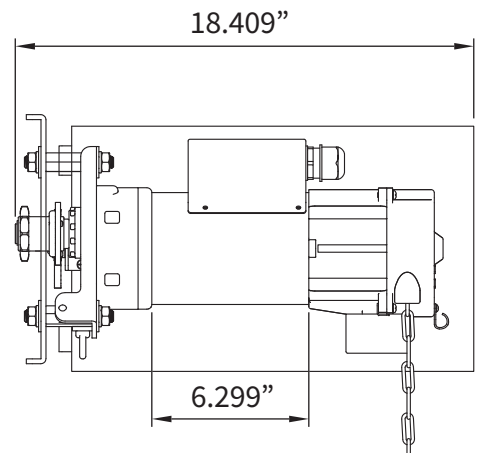
Auxiliary Chain Hoist: Automatically engages and disengages as hand chain is operated. Cut-off switch prevents motor operation when the chain is in use

MOTOR OPERATORS **INDIRECT SPLASH-PROOF MG OPERATOR**



The indirect splash-proof MG operator comes with a totally enclosed non-ventilated (TENV) motor, NEMA 4 control box and powder coated steel mounting plates.

Model	MGHC 75
Horsepower	3/4 HP
Voltage	115V / 230V / 460V / 575V*
Phase	1/3
Frequency	60 Hz
Duty	20 cycles per hour
Drive Chain	#50
Auxiliary Hand Chain	Included



*Additional lead time may apply. Please contact factory for details.