



**INSTALLATION INSTRUCTIONS  
AND  
OPERATION MANUAL**

**SGHNX Series**

**NEMA 4X**

**UL325-2010 Compliant**

**Commercial and Industrial Door Operator**

**Logic Control**

**Continuous Duty**

# CONTENTS

<b>IMPORTANT INSTALLATION INSTRUCTIONS</b> .....	<b>2</b>
<b>SPECIFICATIONS</b> .....	<b>3</b>
<b>TYPES AND SIZES OF DOORS</b> .....	<b>4</b>
<b>INSTALLATION INSTRUCTIONS</b> .....	<b>4</b>
OPERATOR MOUNTING POSITIONS (for 1/2hp and 3/4hp).....	4
OPERATOR MOUNTING POSITIONS (for 1hp, 1½hp and 2hp).....	4
OPERATOR MOUNTING .....	5
DRIVE CHAIN ADJUSTMENT .....	6
HAND CHAIN ADJUSTMENT .....	6
<b>WIRING INSTRUCTIONS</b> .....	<b>7</b>
CONTROL WIRING .....	8
ENTRAPMENT DEVICES WIRING .....	9
<b>INPUT POWER CONNECTIONS</b> .....	<b>10</b>
<b>LIMIT SWITCH ADJUSTMENT</b> .....	<b>11</b>
<b>CONTROL SETTINGS</b> .....	<b>12</b>
CONTROL FUNCTION .....	12
AUXILIARY FUNCTION.....	13
TIMER INSTRUCTION .....	14
LCD DISPLAY INSTRUCTION .....	16
<b>LIGHT INDICATION</b> .....	<b>17</b>
<b>WIRING DIAGRAMS</b> .....	<b>18</b>
TERMINAL CONNECTIONS .....	28
<b>IMPORTANT SAFETY INSTRUCTIONS</b> .....	<b>29</b>
<b>TESTING</b> .....	<b>30</b>
PUSH BUTTON STATION TESTING .....	30
EMERGENCY MANUAL OPERATION .....	30
<b>MAINTENANCE INSTRUCTIONS</b> .....	<b>31</b>
<b>APPENDIX 1: Multiple Sensing Devices Connection Instruction</b> .....	<b>32</b>
<b>APPENDIX 2: Control Connections Diagrams</b> .....	<b>33</b>
<b>APPENDIX 3: Control Connections Diagrams</b> .....	<b>34</b>
<b>APPENDIX 4: Wiring Change Instruction from 230V to 208V 3 Phase Operator</b> .....	<b>35</b>

## **IMPORTANT INSTALLATION INSTRUCTIONS**

### **WARNING – To reduce the risk of death or serious injury to persons:**

1. READ AND FOLLOW ALL INSTALLATION INSTRUCTIONS.
2. Install only on a properly operating and balanced door. A door that is operating improperly could cause severe injury. Have qualified service personnel make repairs to cables, spring assemblies, and other hardware before installing the operator.
3. Remove all pull ropes and remove, or make inoperative, all locks (unless mechanically and/or electrically interlocked to the power unit) that are connected to the door before installing the operator.
4. Install the door operator at least 8 feet or more above the floor if the operator has exposed moving parts. If the operator must be mounted less 8 ft (2.44 m) above the floor, then exposed moving parts must be protected by covers or guarding. Contact the manufacturer.
5. Do not connect the door operator to the source of power until instructed to do so.
6. Locate the control station: (a) within sight of the door, and (b) at a minimum height of 5 feet above floors, landings, steps, or any other adjacent walking surface and (c) away from all moving parts of the door.
7. Install the Entrapment Warning Placard next to the control station in a prominent location.
8. Make sure the available power supply to be connected to the operator is of the same voltage, frequency, phase and wattage as indicated on the nameplate of the operator.
9. Read and understand the wiring diagram of the operator and the control station (open-close-stop push button), and any other equipment to be connected to the operator.
10. To avoid damage to the door and operator, make all door locks inoperative. Secure locks in the unlocked position, or install external electrical interlocks to prevent operation with the locks engaged.
11. Always disconnect power whenever installing or servicing the door operator or door.
12. All wiring must be permanent and comply with National Electrical Code (NEC) and local code requirements.
13. Any change in mounting position may result in a change of operator rotation and consequently in a change of control functions. Consult factory for any changes.
14. If the operator is provided with an auxiliary chain operator, the hand chain must be kept inside the chain bag when operating electrically.
15. For products having a manual release, instruct the end user on the operation of the manual release.

# SPECIFICATIONS

<b>MOTOR</b>	
Duty Cycle:	Continuous duty
Horsepower:	1/2 hp, 3/4 hp, 1 hp, 1½ hp, 2 hp
Speed:	1700 RPM
Voltage:	115, 230 – 1 phase 208/230, 460, 575 – 3 phase 230 volt 3 phase motor is suitable for use with 208 volts (see <i>Wiring Diagrams and Appendix 4 for wiring change instruction</i> )
Current:	See motor nameplate
<b>ELECTRICAL</b>	
Transformer:	24VAC
Wiring Type:	Momentary pressure open, stop, constant pressure close (provided standard), with provision for momentary pressure close*
Limit Adjustment:	Linear driven, fully adjustable screw type cams.
<b>MECHANICAL</b>	
Drive Reduction:	43:1 (1/2 & 3/4 hp), 57:1 (1 & 1½ hp), 82:1 (2 hp)
Output Shaft Speed:	39 RPM (1/2 & 3/4 hp), 30 RPM (1 & 1½ hp), 21 RPM (2 hp)
Door Speed:	6 - 8" per sec. average (typical)
Brake:	Solenoid actuated brake
Emergency Chain Hoist:	Standard
<b>ENTRAPMENT PROTECTION</b>	
Sensing Edge*:	(Optional) Sensing device attached to the bottom edge of the door.
Non-Contact Device*:	(Optional) Photo eye device.
<p><b>* Per the requirements of UL Standard 325, the door operator is setup for constant pressure to close the door. As an alternative, the door may be provided with a monitored entrapment protection device that will reverse the door upon contact with or detection of an obstruction during closing. Adding an entrapment device would enable momentary close operation.</b></p>	

**\*Note:**

1. Non-contact device (photo eye) can be used on doors up to 45 ft. wide (or maximum rated range of device if less than 45 ft.). Use a sensing edge to provide entrapment protection on doors over 45 ft. wide.
2. Sensing edge can be used on all doors.

## TYPES AND SIZES OF DOORS

Consult factory for details.

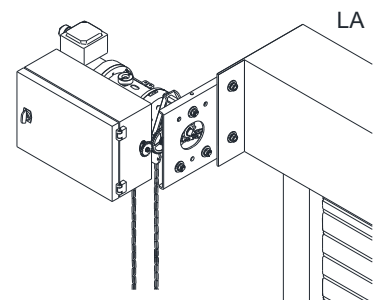
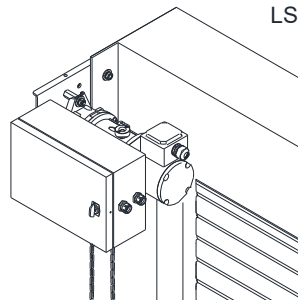
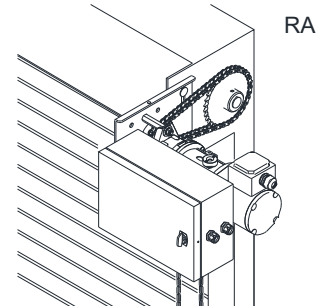
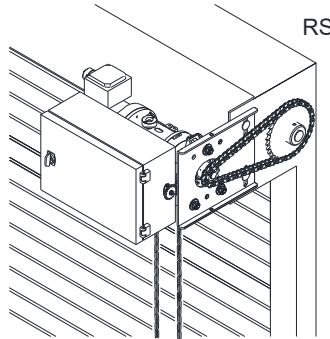
## INSTALLATION INSTRUCTIONS

### OPERATOR MOUNTING POSITIONS (for 1/2hp and 3/4hp)

**NOTE:** Any change in mounting position may result in a change of operator rotation and consequently in a change of control functions. Consult factory for any changes. (LH=LS and RA, RH=RS and LA)

Operators mounted in alternate positions (LA, RA) require the long mounting legs in lieu of the standard short mounting legs.

**Consult factory for changes in mounting positions.**

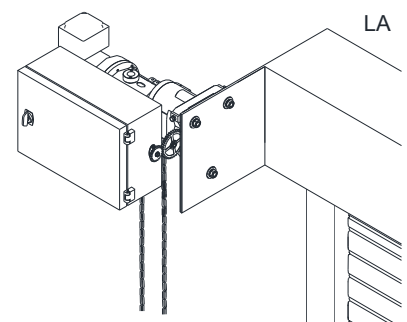
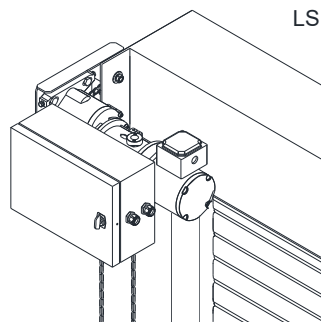
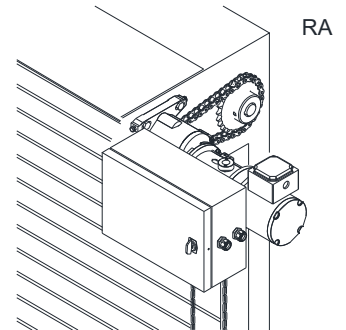
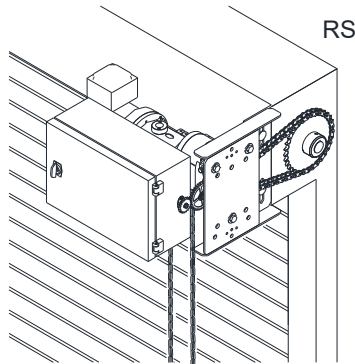


### OPERATOR MOUNTING POSITIONS (for 1hp, 1½hp and 2hp)

**NOTE:** Any change in mounting position may result in a change of operator rotation and consequently in a change of control functions. Consult factory for any changes. (LH=LS and RA, RH=RS and LA)

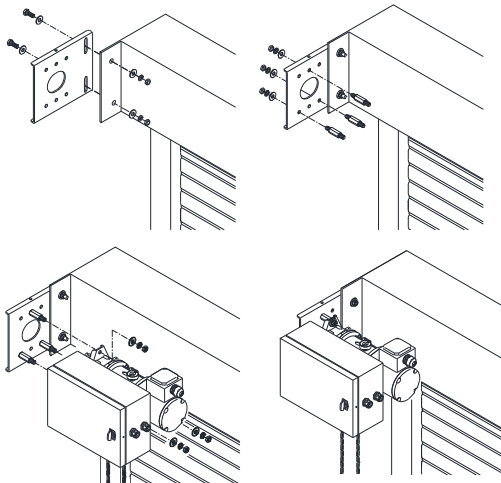
Operators mounted in alternate positions (LA, RA) require a straight mounting plate in lieu of the standard bent plate.

**Consult factory for changes in mounting positions.**

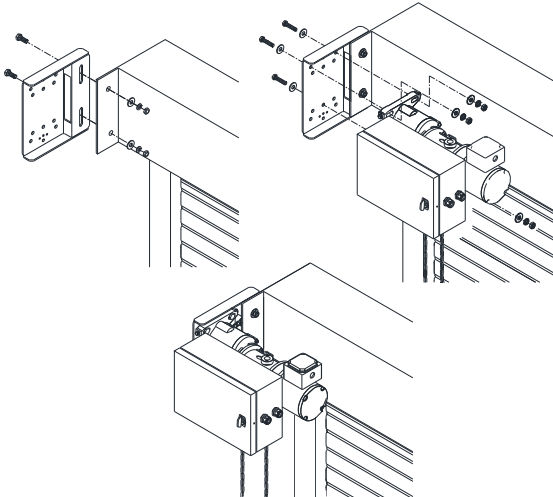


# OPERATOR MOUNTING

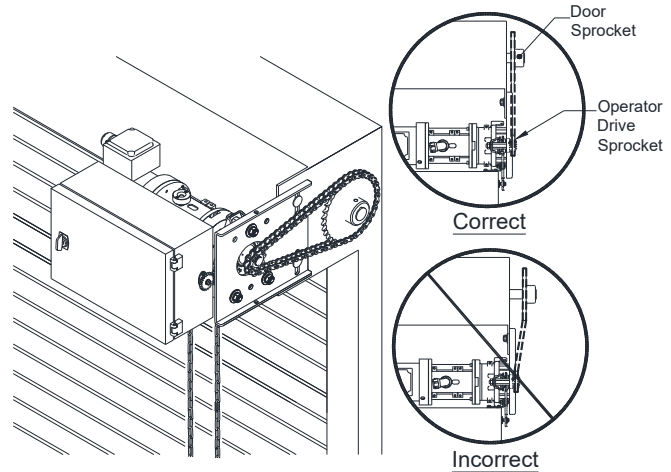
1. Before the operator is installed, verify that the door is properly operating and balanced.
2. Make sure the layout of the mounting holes on the bracket is correct.
3. Bolt the operator mounting plate to the door bracket plate.
4. Attach and tighten the three mounting legs to the mounting plate. (Not applicable for 1hp, 1½hp, 2hp)
5. Mount the operator to the three legs and tighten (for 1/2 and 3/4hp only). For other horsepowers, mount the operator to the mounting plate.
6. When the operator assembly is attached to the door bracket, be sure the door driven sprocket is properly aligned with the operator drive sprocket before securing the driven sprocket to the shaft. (See [Figure 3](#) for 1/2hp and 3/4hp; see [Figure 4](#) for 1hp and 1½hp)
7. The shelf or bracket must provide adequate support for the operator. Prevent play between the operator and the door shaft. The operator must be securely attached with the drive shaft parallel to the door shaft. It may be necessary to field brace the operator/bracket.



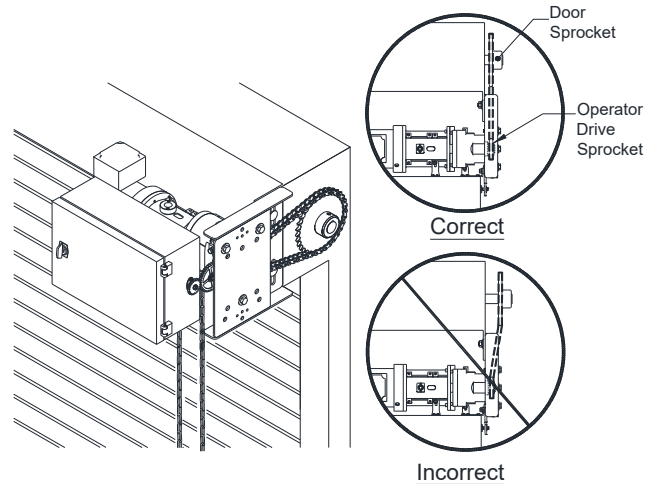
(Figure 1 - for 1/2hp and 3/4hp)



(Figure 2 - for 1hp and 1½hp)



(Figure 3 - for 1/2hp and 3/4hp)



(Figure 4 - for 1hp and 1½hp)

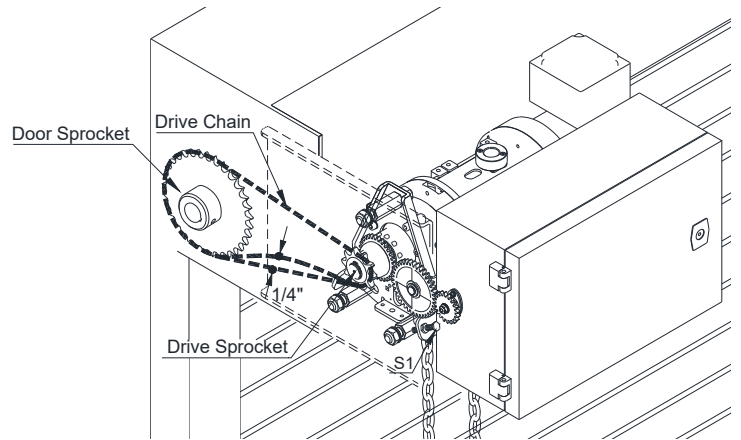
## DRIVE CHAIN ADJUSTMENT

**NOTE: Use correct type, size and proper length of roller chain.**

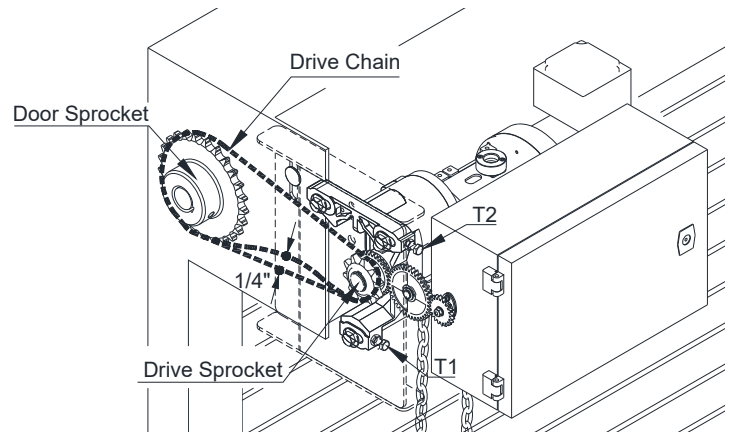
1. Adjust the drive chain by tilting or move the operator so that there is about 1/4" of slack when the chain is depressed.

Note: The set screw included in the operator may be used for adjustment.  
(See figure 1- S1 location for 1/2hp and 3/4hp), (See figure 2 - T1, T2 for 1hp and 1½hp).

2. Once the drive chain has been tightened and the base leg screws have been set, then tighten the operator set screws.



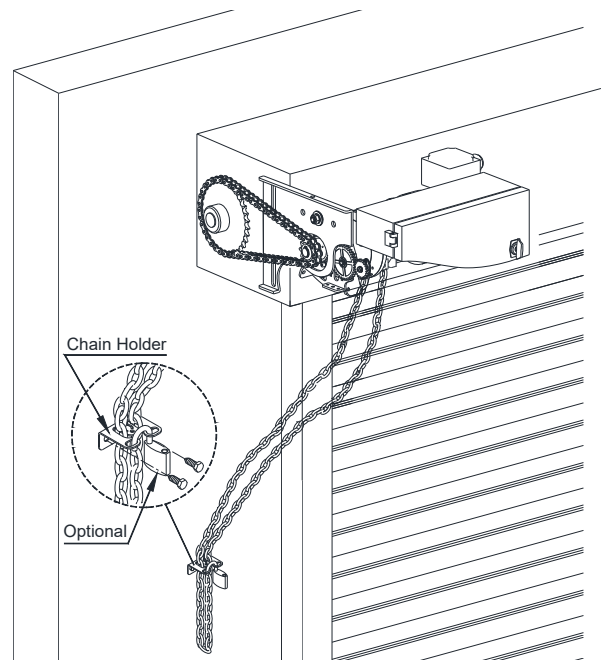
(Figure 1 - for 1/2hp and 3/4hp)



(Figure 2 - for 1hp and 1½hp)

## HAND CHAIN ADJUSTMENT

Cut and reconnect chain with different color link provided.



## WIRING INSTRUCTIONS

### **WARNING**

**Disconnect power at the fuse box before proceeding with any wiring.**

1. Do not install any wiring or attempt to run this operator without checking the wiring diagram located on the inside of the control box cover.
2. Do not turn on power until you have finished making all power and control wiring connections.
3. Do not run power and control wiring in the same conduit.
4. Any wire connected to the control panel must be protected by conduit or other means to ensure the safety and permanency of the wiring.
5. Use copper wire inside the control panel.
6. A separate circuit of adequate capacity is needed for the operator.
7. The operator must be properly grounded. The ground screw, painted green, is located inside the control panel.
8. For an operator, system, or external device requiring field installed wiring between a Class 2 output of an operator and an external device, the type of wiring shall be R/C (AVLV2/8), AWM, min. 22 AWG, rated 60°C, with VW-1/FT2.

### **WARNING**

- **Failure to properly ground the operator could result in electric shock and serious injury or death.**
- **To avoid damage to door and operator, make all door locks inoperative. Secure lock(s) in the unlocked position, or install electrical interlocks to prevent operation with the lock engaged.**



## CONTROL WIRING

### **⚠ WARNING**

**Disconnect power at the fuse box before proceeding with any wiring.**

1. Locate the control station where the user can clearly see the operation of the door. Mount the enclosed placard adjacent or near the door.



### **⚠ WARNING**

**Controls shall be located far enough away from the door, or positioned such that the user is prevented from coming in contact with the door, while operating the controls.**

2. Do not run control wiring in the same conduit as power wiring.
3. Any wire connected to the control panel must be protected by conduit or other means to ensure the safety and permanency of the wiring.

### **⚠ WARNING**

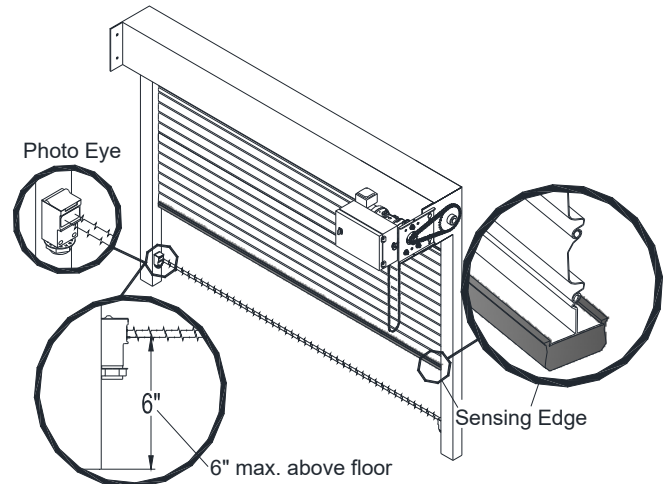
- Do not use radio controls with your operator unless some type of entrapment protection device has been installed. Failure to do so may result in serious injury or death to person(s) trapped beneath the door.
- Changing from left hand to right hand or vice versa could result in change of control wiring. Consult factory for details.

## ENTRAPMENT DEVICES WIRING

### **⚠ WARNING**

If the door is not visible from the control station, or if any device other than the control station is used to activate the door, an entrapment protection device must be installed on the door. Failure to install an entrapment protection device may result in serious injury or death to person(s) trapped beneath the door.

1. Complete limit switch adjustments before making any sensing edge/non-contact device wiring connections to the operator.



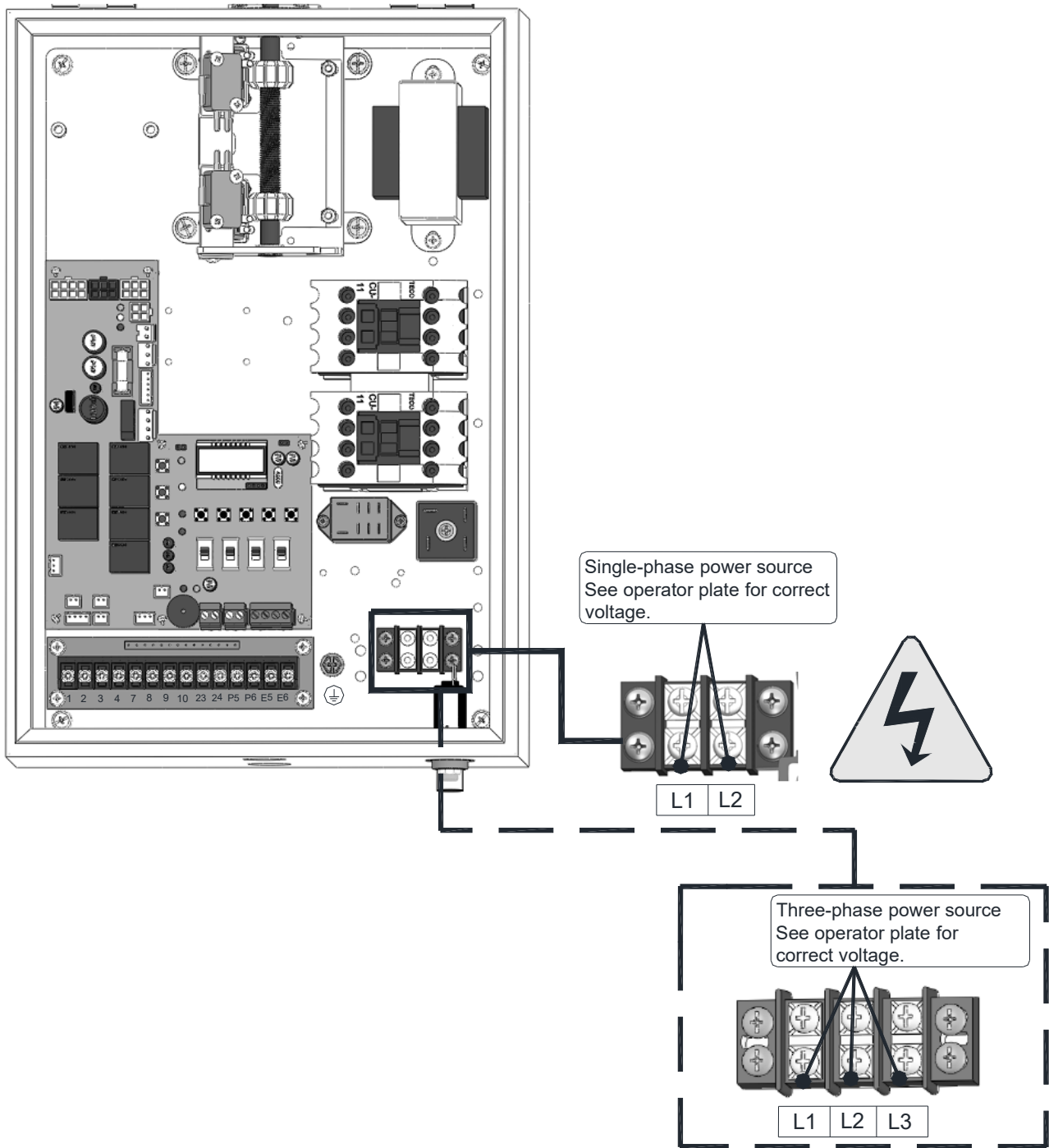
#### Entrapment Device Options:

Sensing Module	Device Manufacturer	Model
ELR 2-wire resistive sensing edge	Miller Edge Inc. * End of Line resistor type edge must have model number with Suffix T2.	ME110*, ME111*, ME120*, ME123*, ME112*, ME113*, ME116*, ME117*
		MT21*, MU21*, MT22*, MU22*, MC22*, MU33*, MC271*, CPT223*
		MEL-TXYY, MEL-RXYY
		RB-G-K10
	ASO	GE225, GE125, GE245, GE F45, GE F50, GE F56, GE F65, GE F85, GE F115
IR Monitored photo eye	FRABA Inc.	Optical Edge Sensors and Photo Eyes, Models OPTOEDGE, OPTOEYE, OSE, OPE, OSE-P, OSE-R, OSE-T, RAY-N Reflective Photo Eye, Models Ray/RT -1004, -2004
	Martec Access Products Inc.	1266
	Miller Edge Inc.	IG2, MIRM RB-D-K10

**Note:** Please refer to sensing device manufacturer for specific installation and maintenance requirements.

2. After installation, be sure that the operator, controls, and sensing edge or other entrapment protection devices have been tested and function properly.

# INPUT POWER CONNECTIONS



## LIMIT SWITCH ADJUSTMENT

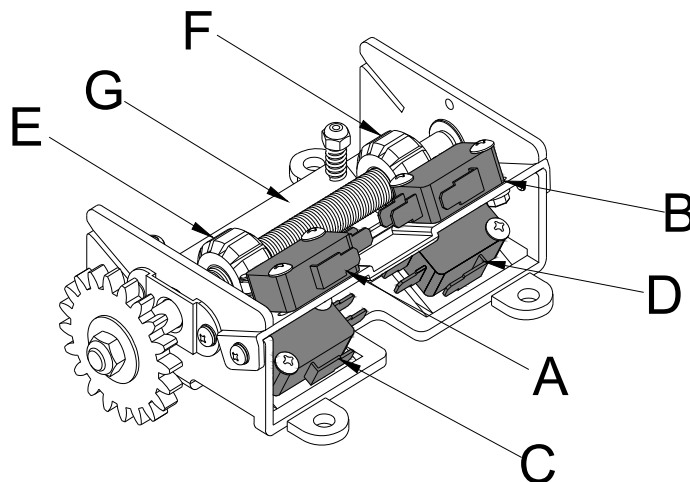
Make sure the limit cams are positioned between the limit switch actuators before proceeding with adjustments.

1. Open / Remove the control panel cover.
2. Open or close door to determine the moving direction of the limit switch cams.
3. Open or close door to the desired position.

### **⚠ WARNING**

**Disconnect power before adjusting limit switch cams.**

4. While pressing the spring-loaded lever (G), which holds the limit switch cams in place, adjust the limit switch cam (E or F) until the micro switch (C or D) clicking sound is heard.
5. If the limit switch cam cannot be rotated to its desired position, release the lever and move the door away from the desired position, then adjust the limit switch cam to its desired position. It may be necessary to repeat this step until the exact position has been reached.
6. Repeat step 3 and 4 for the opposite position. Adjust close limit cams so that actuator is engaged as door fully seats at the floor.
7. Micro switch (A or B) can be adjusted to accommodate sensing edge cut-off position.

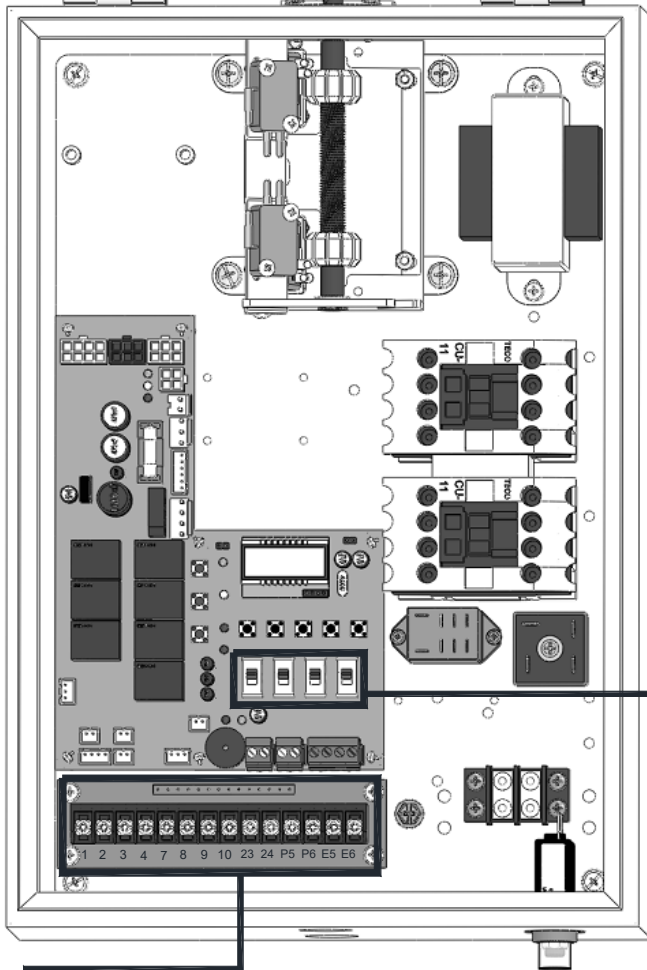


**NOTE: "C" is usually the open limit switch and "D" is usually the close limit switch.**

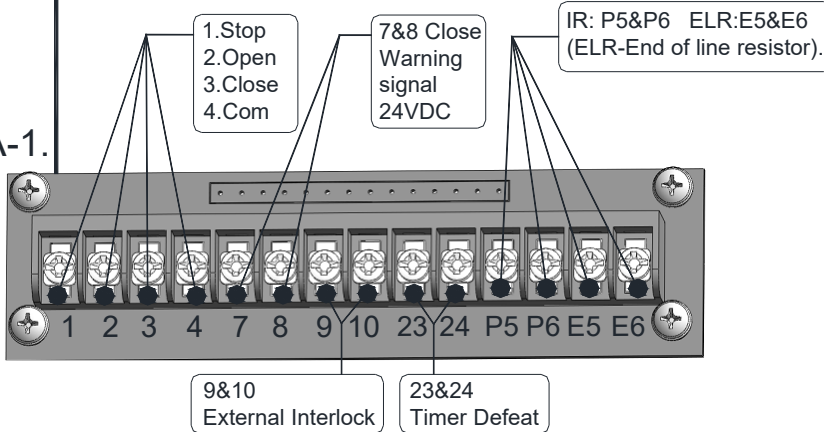
# CONTROL SETTINGS

## CONTROL FUNCTION

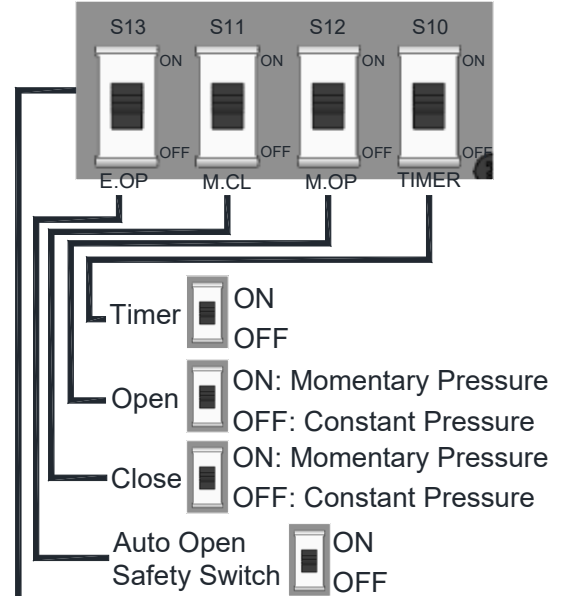
A.



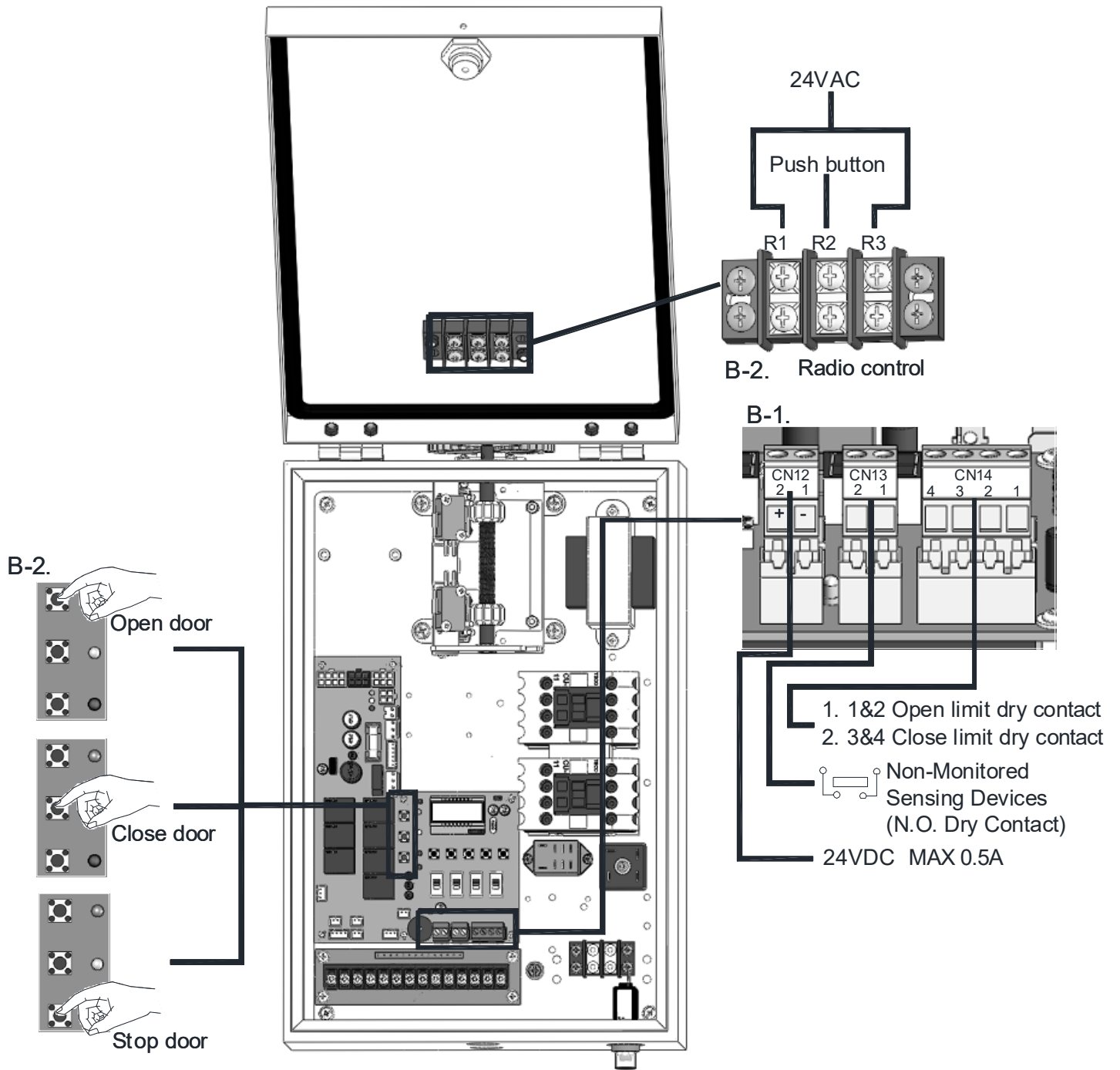
A-1.



A-2.



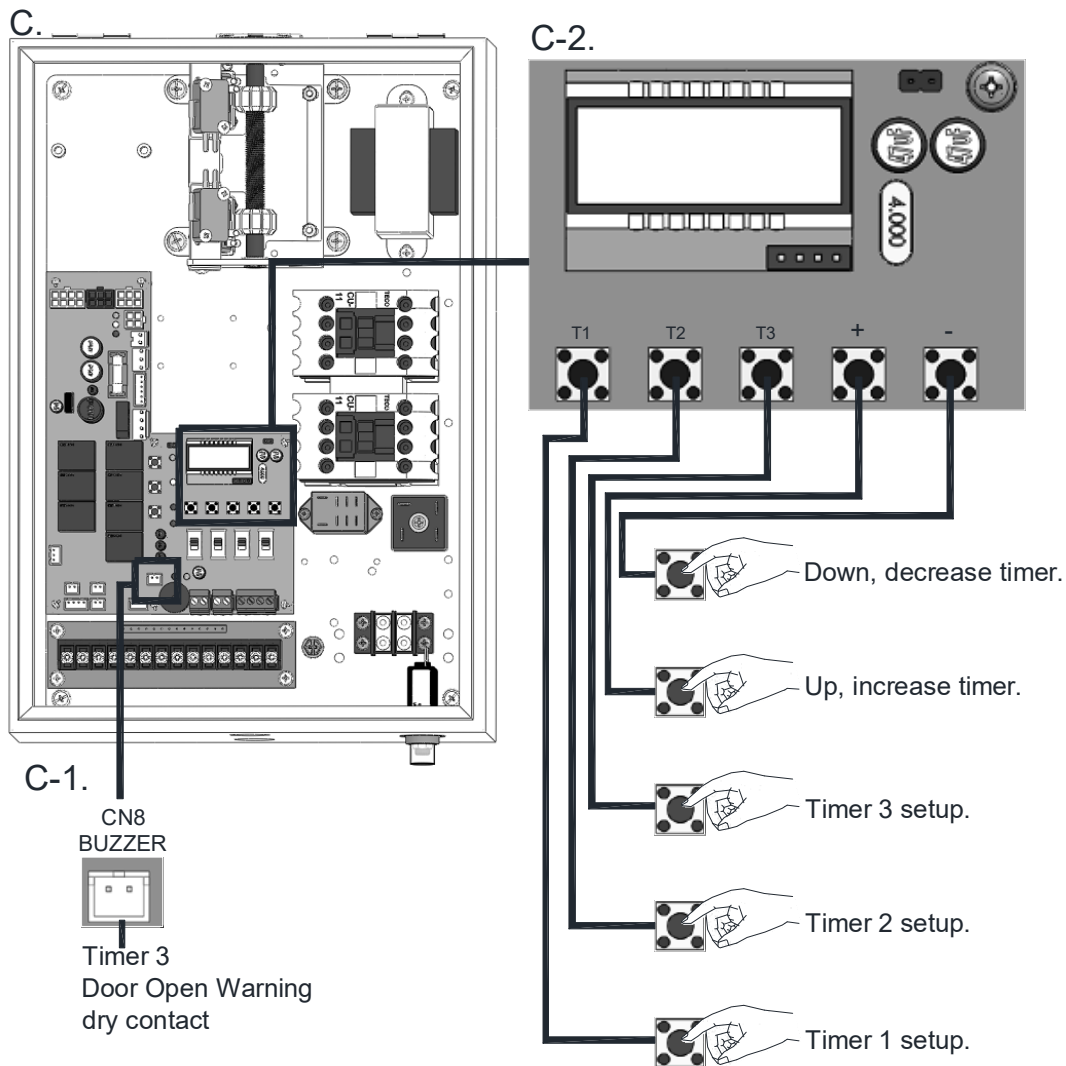
# AUXILIARY FUNCTION



# TIMER INSTRUCTION

**Note:** To enable timer(s) –

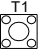



- 1) Must switch Timer Switch S10 to **ON**. (See figure A-2 on Page 12 for location.)
- 2) Must remove jumper on Terminal PCB-CN2 (23,24). (See figure A-1 on Page 12 for location.)

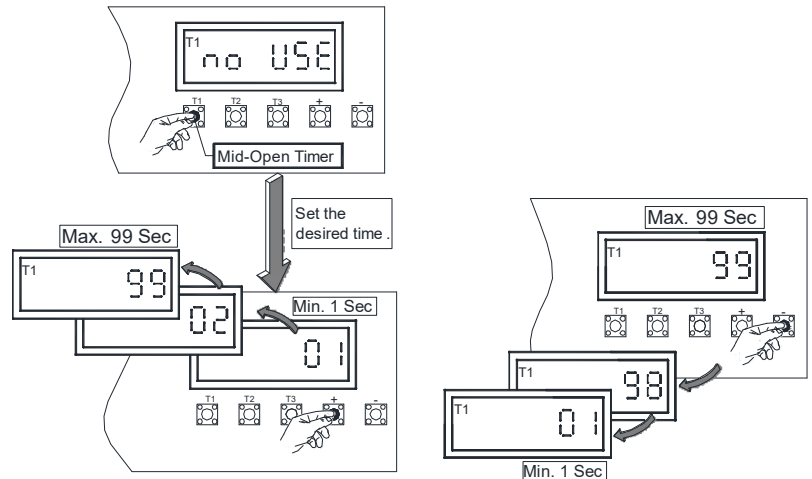


1. T1 – Mid-open timer : Timer starts counting when door leaves close limit. Door stops after opening for set time. Pressing open again at mid-open position will cause door to open to open limit.
- T2 – Timer to close : Timer is active when door stops and is not at close limit.
- T3 – Door Open Warning Timer : Timer is active when door leaves close limit. When time is up, contact will close. See figure C-1.

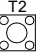



Terminals 23 and 24 external timer disable switch connection – jump to disable all timer functions or install a switch between 23 and 24. When the switch on 23, 24 is open and S10 switch is ON, all timers are enabled. When the switch on 23, 24 is closed or S10 switch is OFF, all timers are disabled.

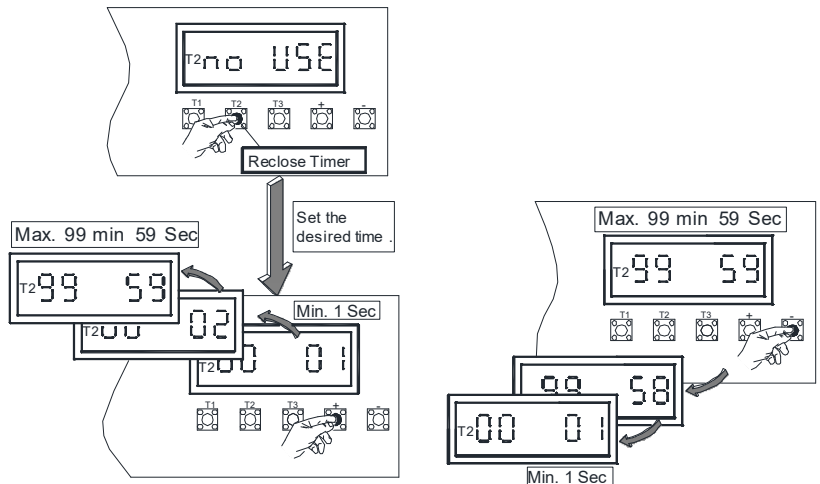
## 2. To Set Timer 1 (Mid-open Timer)

- Remove jumper from terminal (23,24) to enable Timers.
- Turn timer switch S10 to ON.
- Press  and hold for 5 seconds. Display will flash.
- Use  and  to increase or to decrease time.
- Press  to save setting. Without pressing, no adjustment is saved.







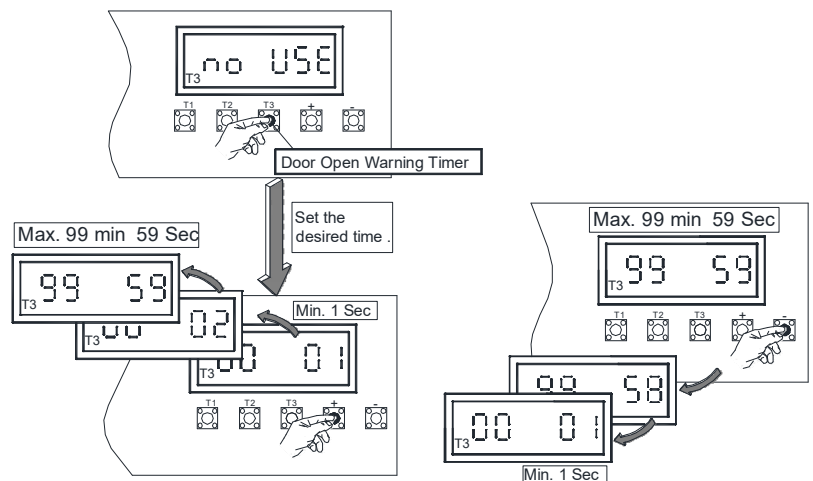
## 3. To Set Timer 2 (Timer to close)

- Remove jumper from terminal (23,24) to enable Timers.
- Turn timer switch S10 to ON.
- Switch M.CL switch to ON. (See figure A-2 on Page 12 for location.)
- Press  and hold for 5 seconds. Display will flash.
- Use  and  to increase or to decrease time.
- Press  to save setting. Without pressing, no adjustment is saved.



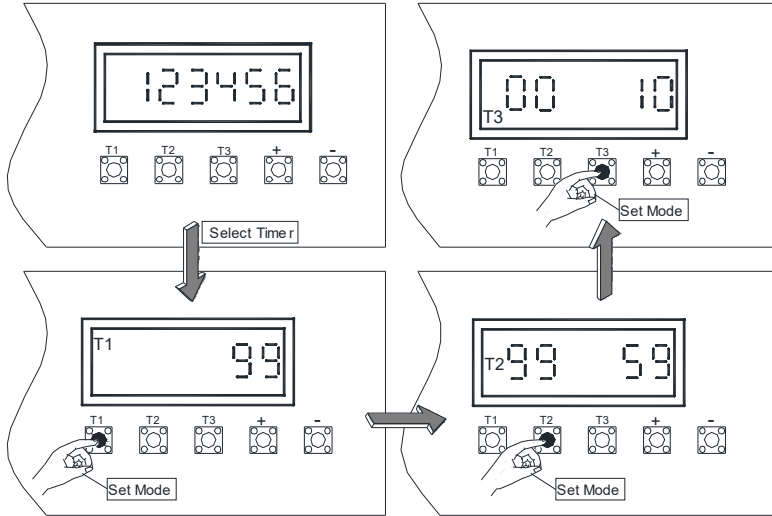
## 4. To Set Timer 3 (Buzzer Timer)

- Remove jumper from terminal (23,24) to enable Timers.
- Turn timer switch S10 to ON.
- Press  and hold for 5 seconds. Display will flash.
- Use  and  to increase or to decrease time.
- Press  to save setting. Without pressing, no adjustment is saved.





5. To confirm timer value



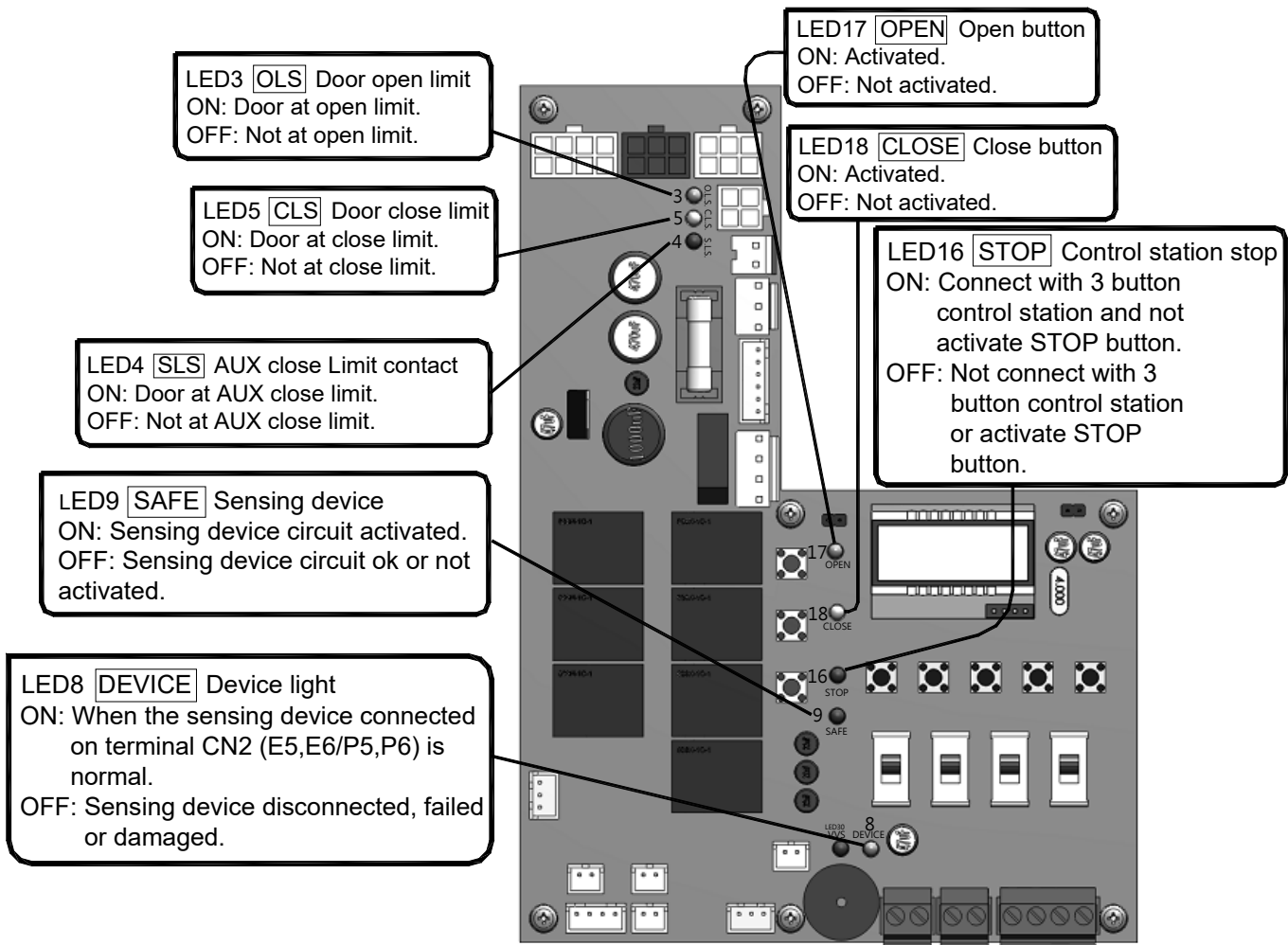
**Note:** To enable timer(s) –

- 1) Must switch Timer Switch S10 to **ON**. (See figure A-2 on Page 12 for location.)
- 2) Must remove jumper on Terminal PCB-CN2 (23,24). (See figure A-1 on Page 12 for location.)

**LCD DISPLAY INSTRUCTION**

Display	Status	Display	Status
	T1 setting		T1 or T2 or T3 setting completed
	T2 setting		Door closing
	T3 setting		Door opening

# LIGHT INDICATION



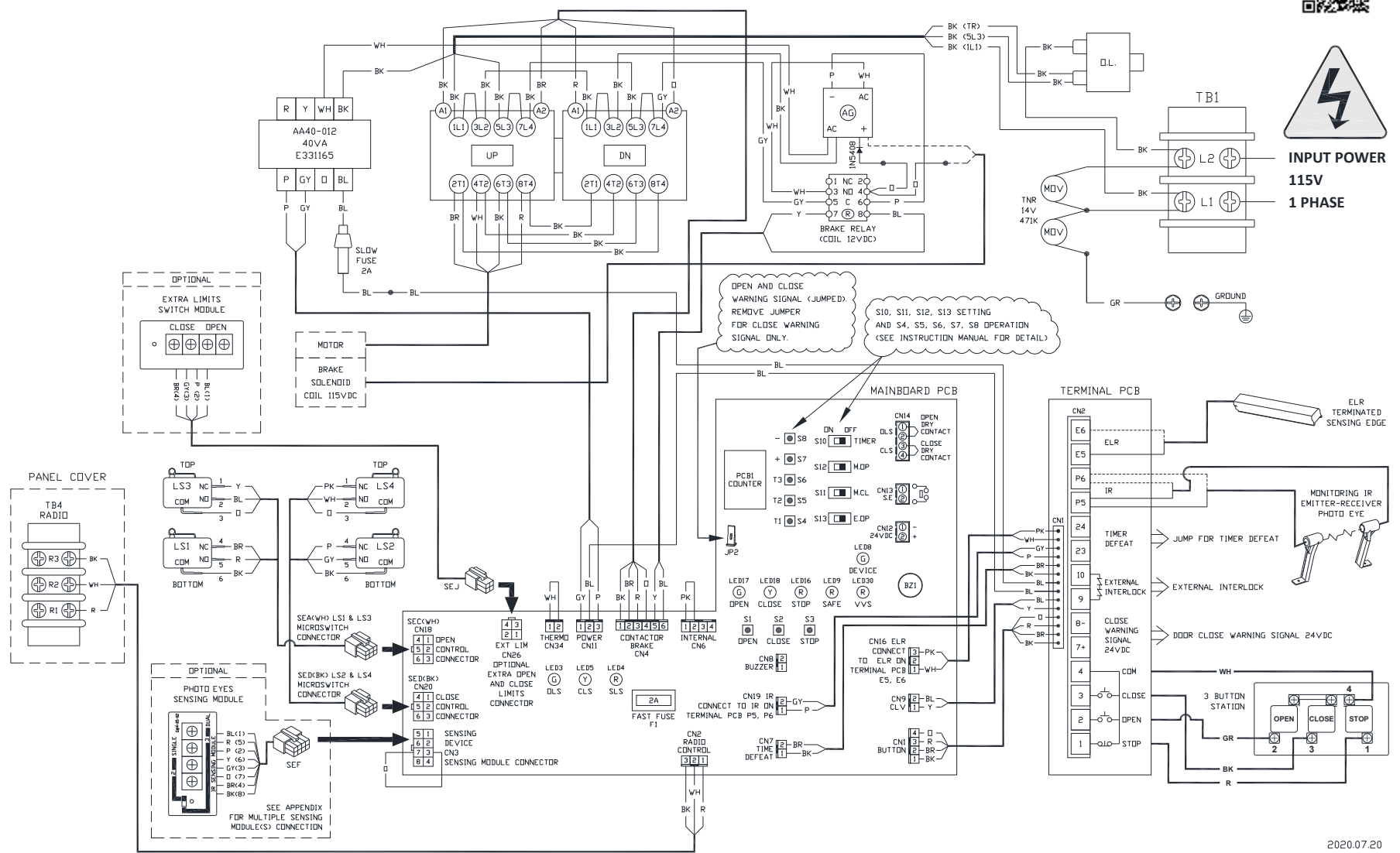
# WIRING DIAGRAMS

SGHNX 115V 1 PHASE 50/60HZ LH (V2)  
 (FOR SGHNX-5011E, 7511E, 10011E, 15011E, 20011E)

EDNX 112ES L



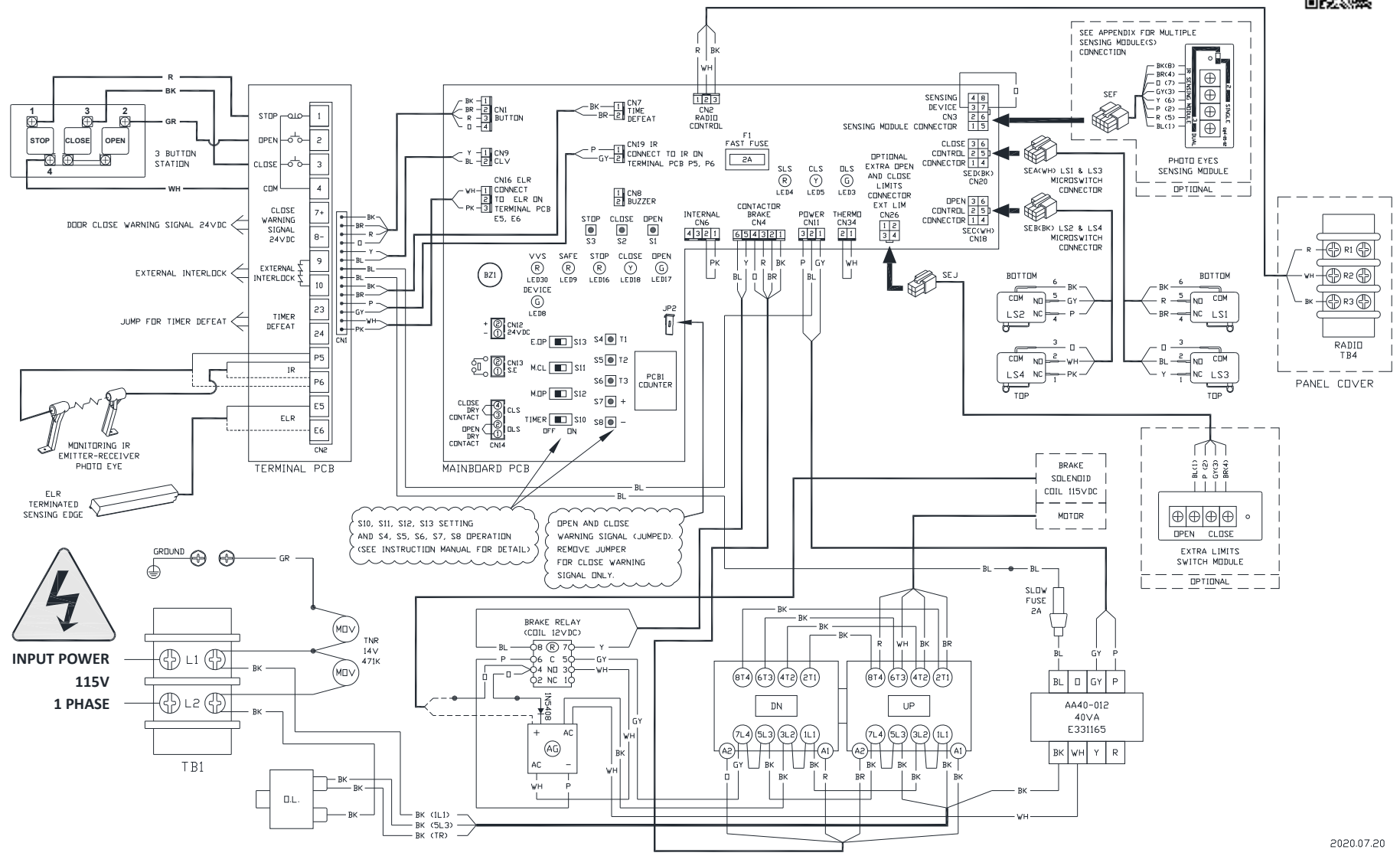
**INPUT POWER**  
**115V**  
**1 PHASE**



2020.07.20

SGHNX 115V 1 PHASE 50/60HZ RH (V2)  
 (FOR SGHNX-5011E, 7511E, 10011E, 15011E, 20011E)

EDNX 112ES R

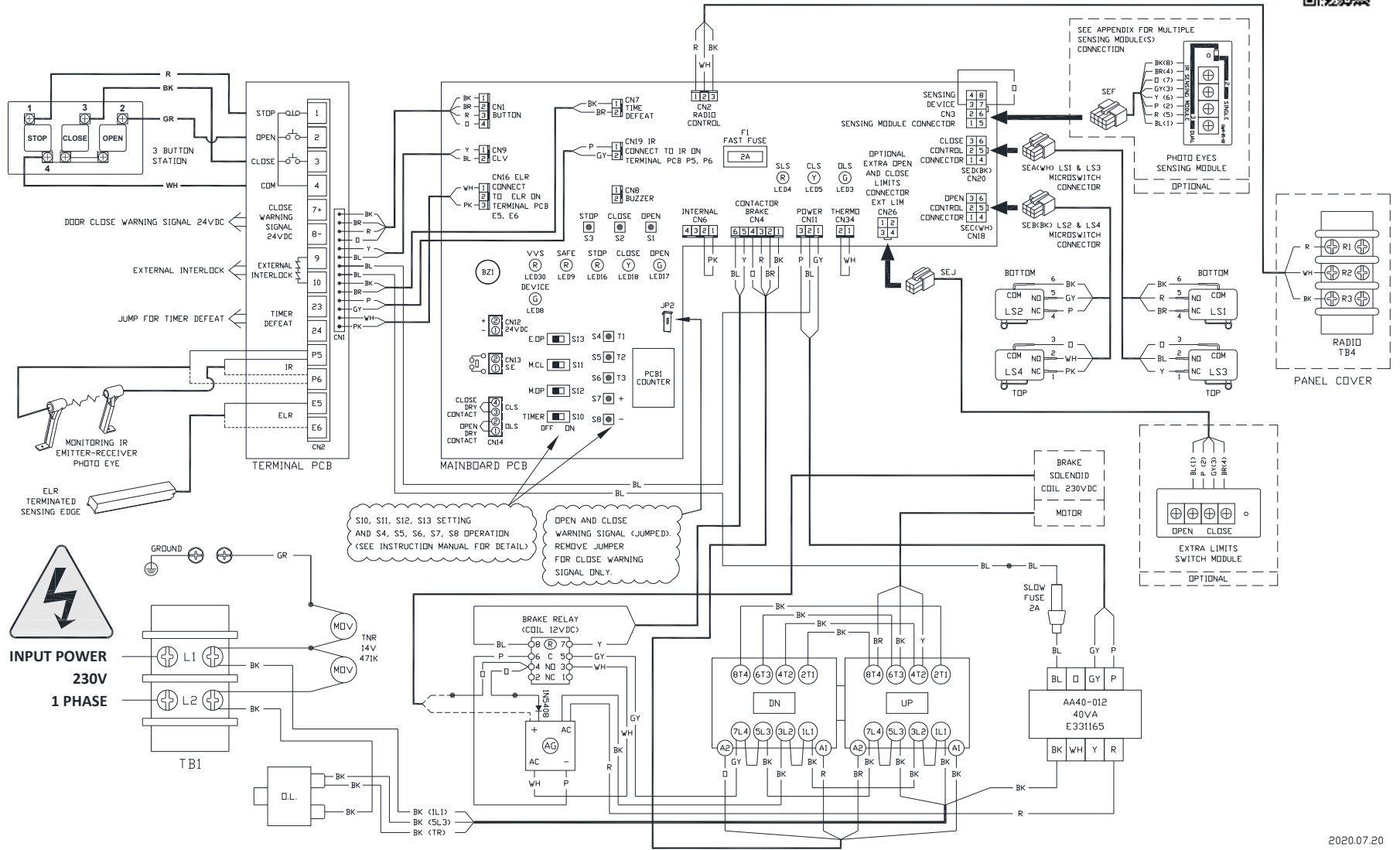


2020.07.20



SGHNX 230V 1 PHASE 50/60HZ RH (V2)  
 (60HZ FOR SGHNX-5021E, 7521E, 10021E, 15021E, 20021E)  
 (50HZ FOR SGHNX-5025E, 7525E, 10025E, 15025E, 20025E)

EDNX 212ES R

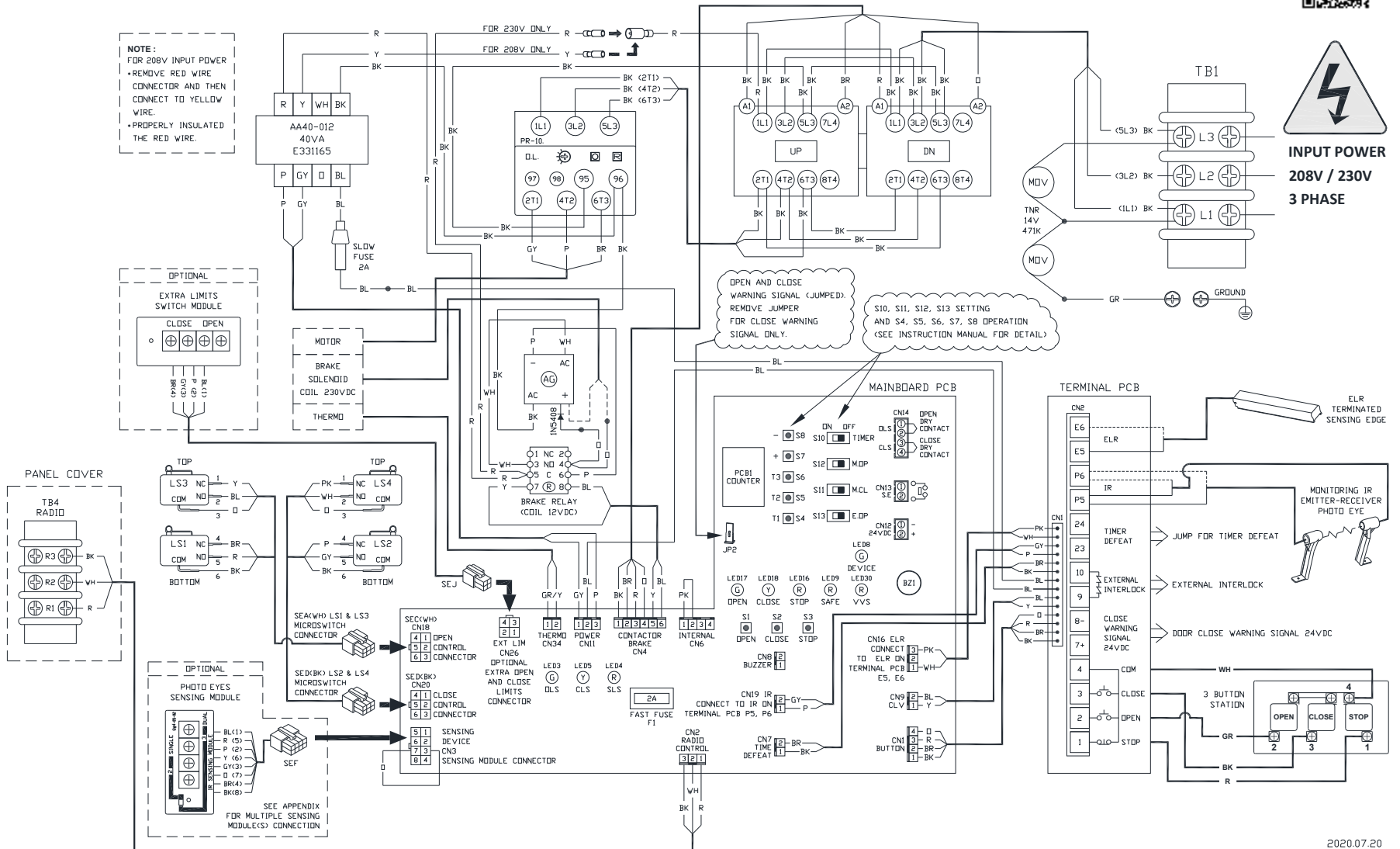


SGHNX 208V/230V 3 PHASE 50/60HZ LH (V2)  
 (FOR SGHNX-5023E, 7523E, 10023E, 15023E, 20023E)

EDNX 312ES L



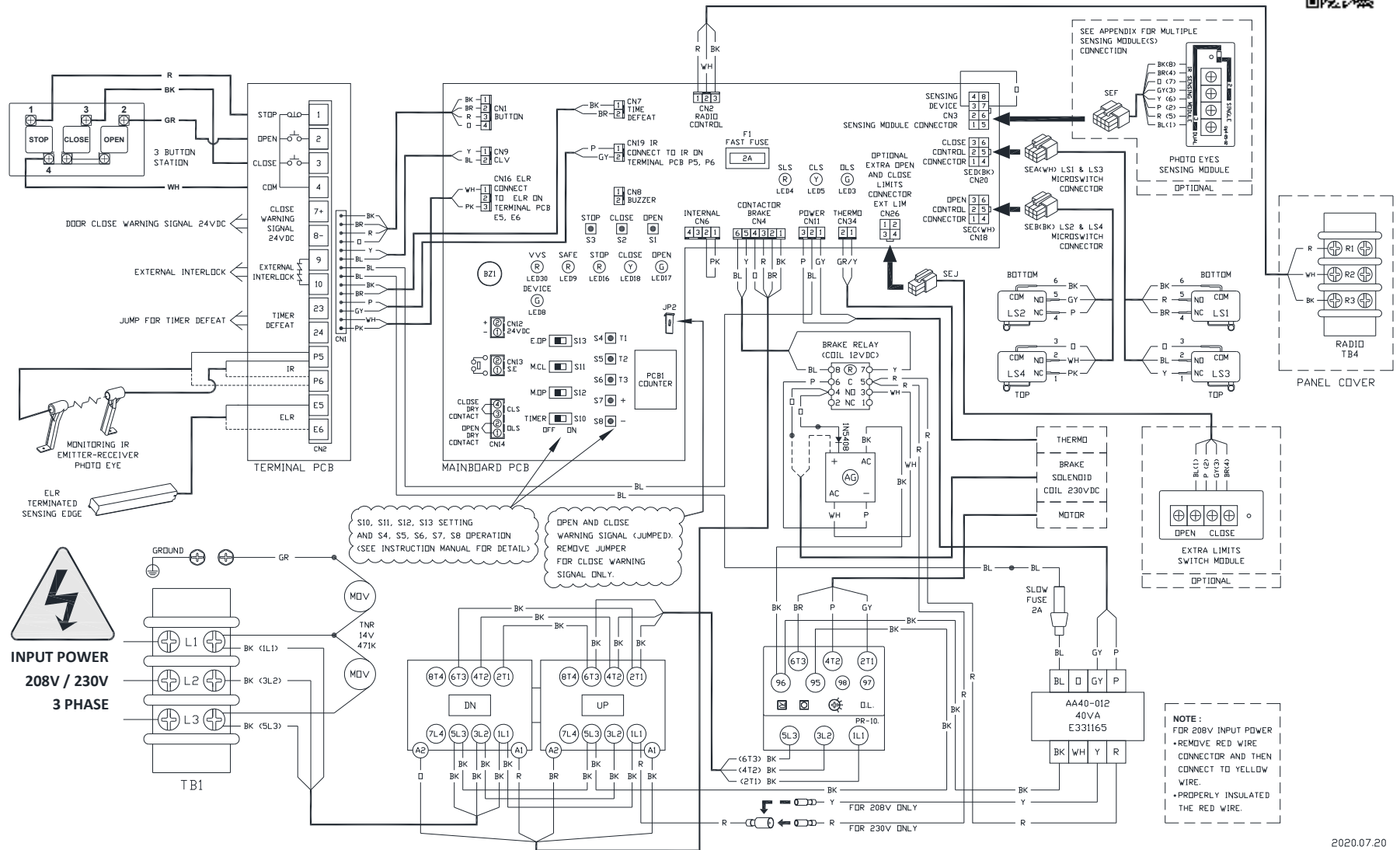
**INPUT POWER**  
 208V / 230V  
 3 PHASE



2020.07.20

SGHNX 208V/230V 3 PHASE 50/60HZ RH (V2)  
 (FOR SGHNX-5023E, 7523E, 10023E, 15023E, 20023E)

EDNX 312ES R



2020.07.20

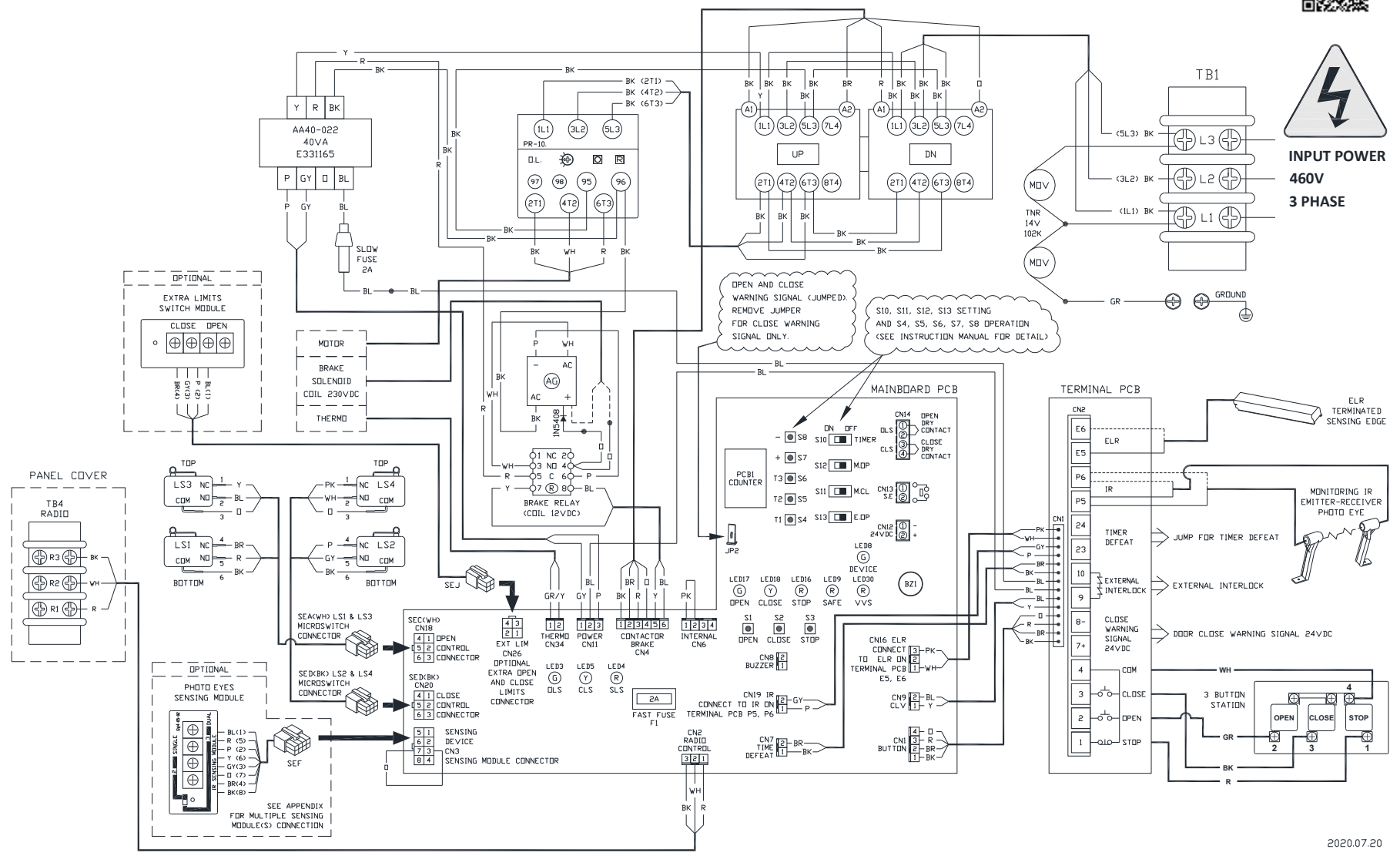


SGHNX 460V 3 PHASE 50/60HZ LH (V2)  
 (FOR SGHNX-5043E, 7543E, 10043E, 15043E, 20043E)

EDNX 412ES L



**INPUT POWER**  
 460V  
 3 PHASE



2020.07.20

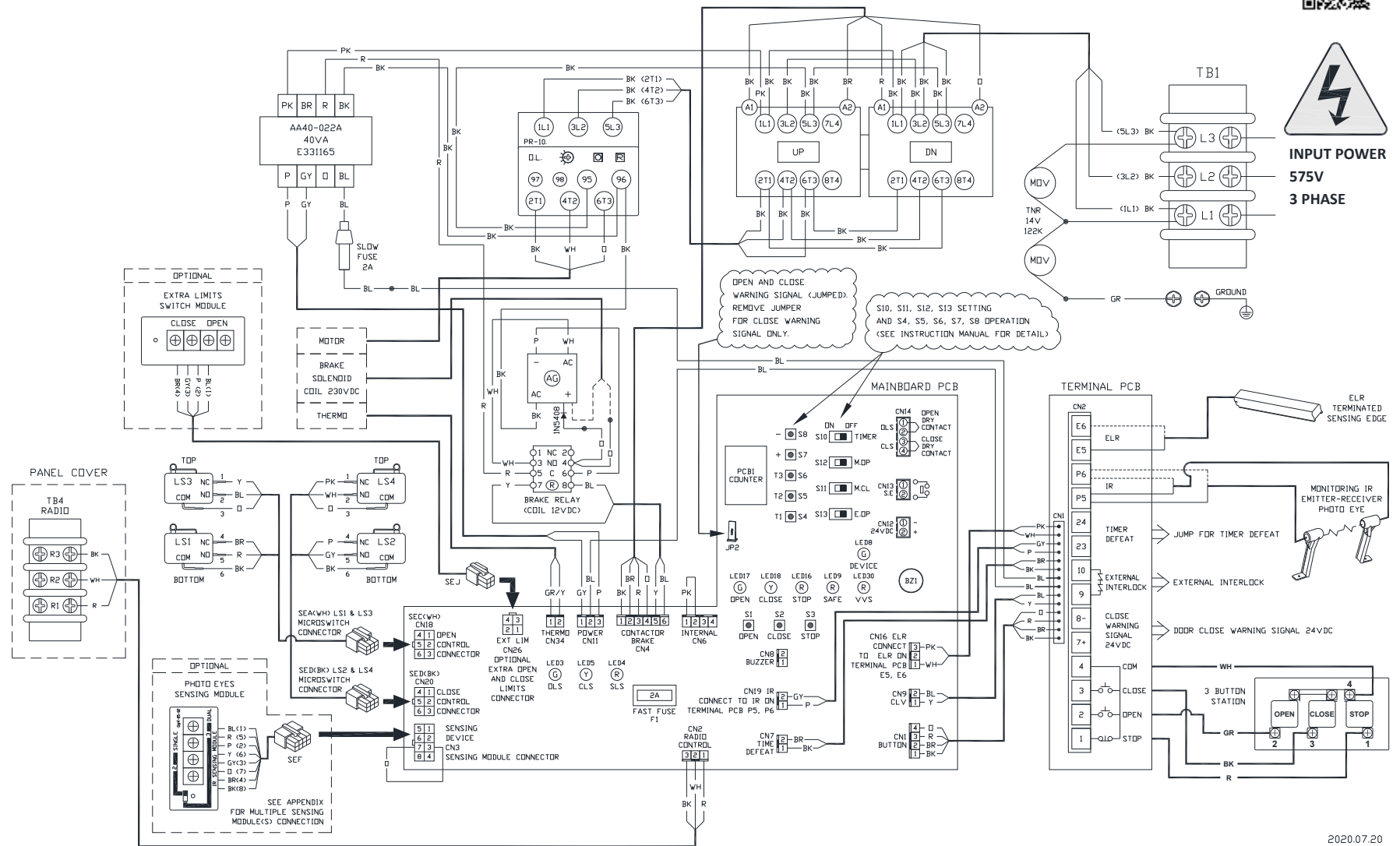


SGHNX 575V 3 PHASE 60HZ LH (V2)  
 (FOR SGHNX-5053E, 7553E, 10053E, 15053E, 20053E)

EDNX 712ES L



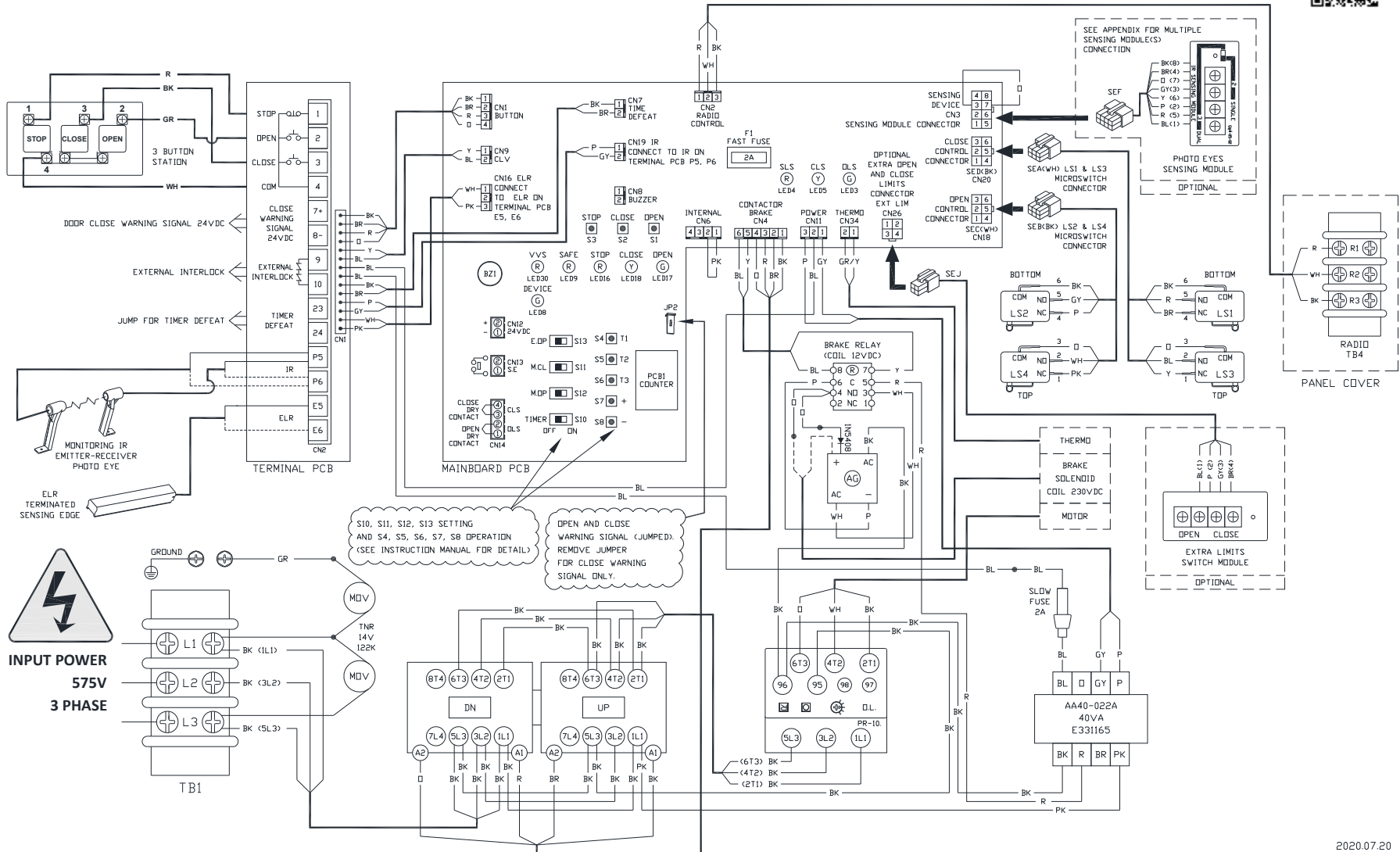
**INPUT POWER**  
**575V**  
**3 PHASE**



2020.07.20

SGHNX 575V 3 PHASE 60HZ RH (V2)  
 (FOR SGHNX-5053E, 7553E, 10053E, 15053E, 20053E)

EDNX 712ES R



2020.07.20

## TERMINAL CONNECTIONS

CN2													
1	2	3	4	7	8	9	10	23	24	P5	P6	E5	E6
Control Station Push Button				+	-	External Interlock		Timer Defeat		Photo eyes or IR sensing edge		ELR sensing edge	
Stop	Open	Close	Com	Close warning signal 24VDC		Jump when no external interlock is connected.							

- ❖ Control panel is wired with momentary pressure open and constant pressure close.
- ❖ A one-second delay on reverse is standard.
- ❖ When the door is closing, pushing the “Open” or “Stop” button will stop the door from moving.
- ❖ When the door is closing, the radio control transmitter can stop and reverse the door at anytime.

## **IMPORTANT SAFETY INSTRUCTIONS**

### **WARNING –To reduce the risk of severe injury or death:**

1. READ AND FOLLOW ALL INSTRUCTIONS.
2. Never let children operate or play with door controls. Keep the remote control (where provided) away from children.
3. Personnel should keep away from a door in motion and keep the moving door in sight until it is completely closed or opened. NO ONE SHOULD CROSS THE PATH OF A MOVING DOOR.
4. Test the door's safety features at least once a month. After adjusting either the force or the limit of travel, retest the door operator's safety features. Failure to adjust the operator properly may cause severe injury or death.
5. For products having a manual release, if possible, use the manual release only when the door is closed. Use caution when using this release when the door is open. Weak or broken springs may cause the door to fall rapidly, causing severe injury or death.
6. KEEP DOORS PROPERLY OPERATING AND BALANCED. See Door Manufacturer's Owner's Manual. An improperly operating or balanced door could cause severe injury or death. Have trained door systems technician make repairs to cables, spring assemblies, and other hardware.
7. **SAVE THESE INSTRUCTIONS.**

## **TESTING**

### **PUSH BUTTON STATION TESTING**

1. If a 3-button control station is used to operate the door, push the “OPEN” button to open the door, push the “CLOSE” button to close the door, push the “STOP” button to stop movement of the door while opening or closing. Removing pressure from the “CLOSE” button will cause the door to stop.
2. If a key switch control station is used to operate the door, turn the key to the “OPEN” position to open the door, turn the key to the “CLOSE” position to close the door, push the “STOP” button to stop movement of the door while opening or closing. Removing pressure from the “CLOSE” key position will cause the door to stop.
3. Door may also be operated by remote devices.

### **EMERGENCY MANUAL OPERATION**

This operator has provisions for manually operating the door in case of emergency or power failure. This operator is equipped with an auxiliary hoist.

To operate the hoist:

1. Remove the hand chain from the chain bag.
2. Pull the hand chain to operate the door in the desired direction. (No clutch to engage)

Put the hand chain back into the chain bag, before operating the door again electrically.

### **WARNING**

- Turn off power to the operator before manually operating the door.
- Hand chain must be kept inside chain bag when operating electrically.

## **MAINTENANCE INSTRUCTIONS**

The brake is a self-adjusting brake. It is maintenance free. The brake assembly requires no additional adjustments for its lifetime.

If an entrapment protection device is used, i.e. sensing edge or photoelectric sensors, please consult the manufacturer for maintenance instruction.

### **⚠ WARNING**

**Disconnect power supply to the operator before servicing.**

Check the following items at the intervals listed:

CHECK LIST	DESCRIPTION	EVERY 3 MONTHS	EVERY 6 MONTHS	EVERY 12 MONTHS
Drive Chain	Check for excessive slack. Check & adjust as required Lubricate.	●		
Sprockets	Check set screw tightness	●		
Fasteners	Check & tighten as required		●	
Bearings & Shafts	Check for wear & lubricate	●		

- ❖ Do not lubricate motor. Lubrication could cause damage.
- ❖ Inspect and service whenever a malfunction either door or operator is observed or suspected.
- ❖ Before servicing, always disconnect power supply to the operator.
- ❖ Replace fuses only with those of the same type and rating.
- ❖ All replacement parts must be compatible with those originally provided. Consult manufacturer for replacement parts.

### **⚠ WARNING**

**Do not place hands or tools in or near the operator when the power is connected or when testing control or sensing devices. Always disconnect power before servicing or adjusting the operator.**

## **U.S. GEAR**

**Covered under US Pat. #6,900,602, #7,161,100 #8,230,759, #8,662,140 and additional patents pending.**

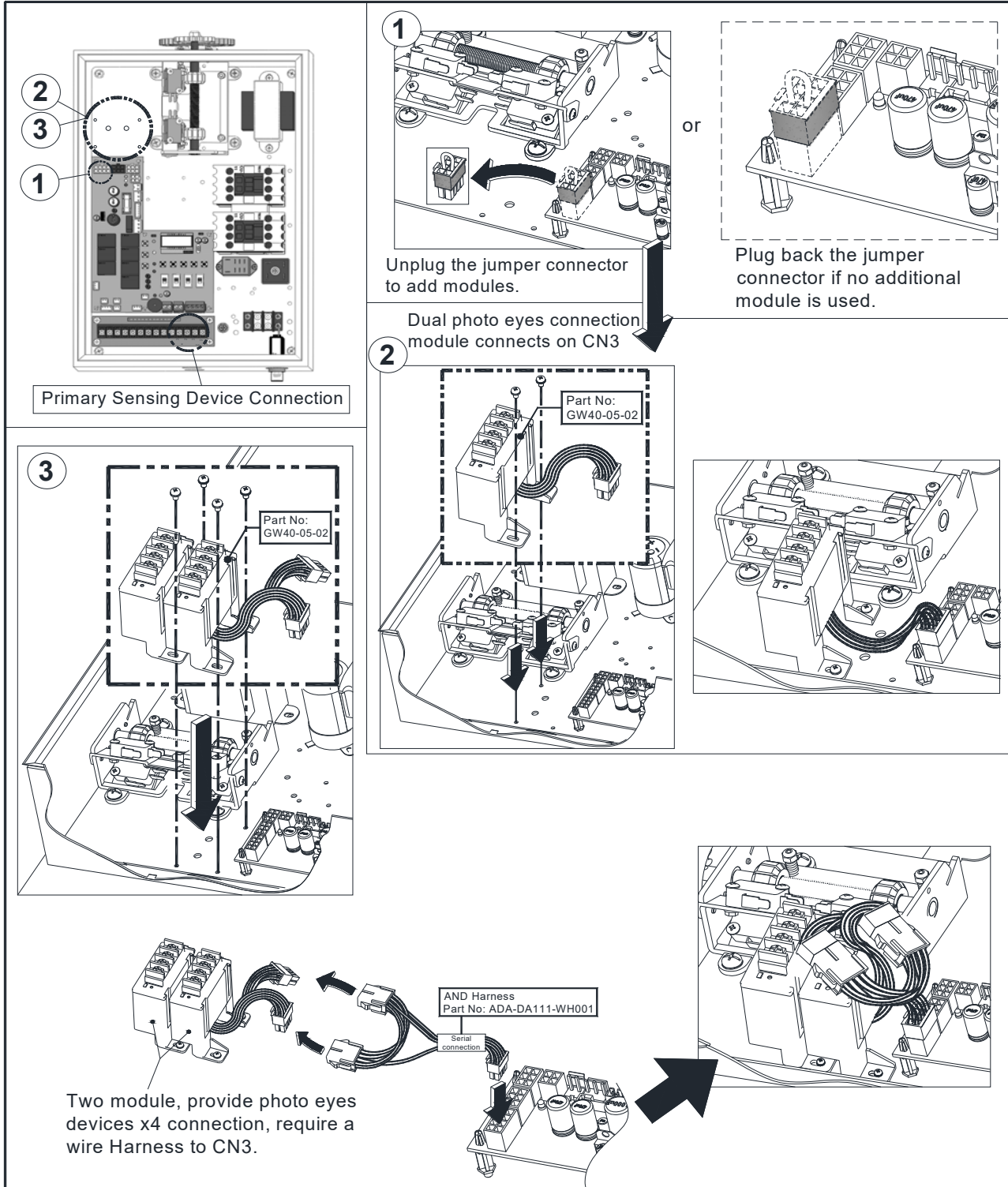


# APPENDIX 1: Multiple Sensing Devices Connection Instruction

## Multiple Sensing Devices Connection Instruction Dual Photo eyes Connection Module

Warning: Power OFF When Connecting.

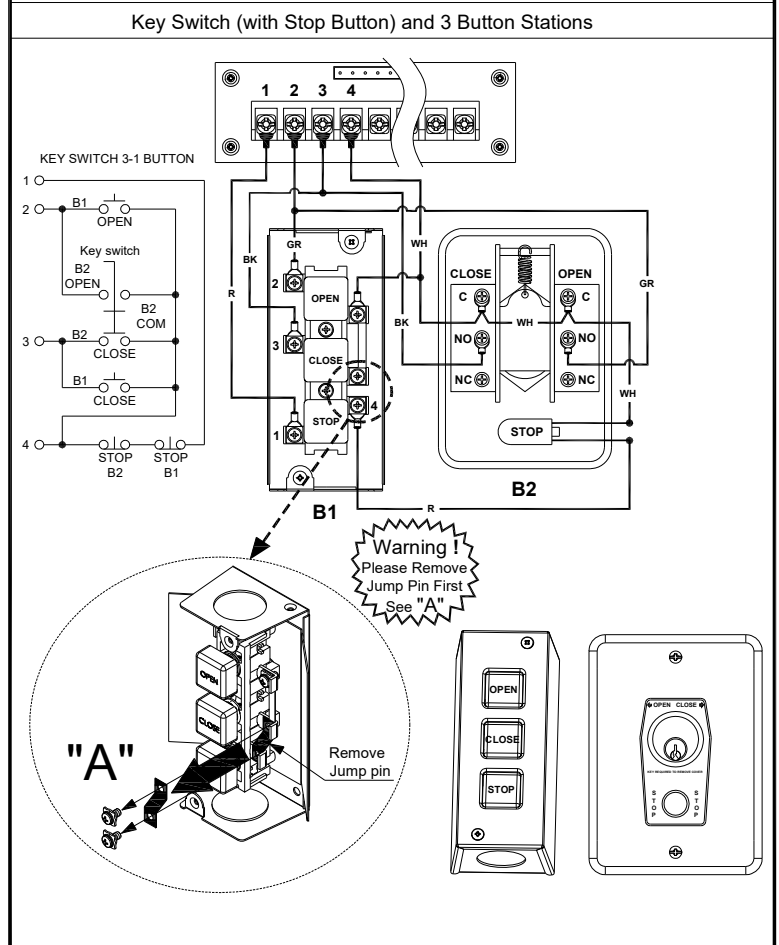
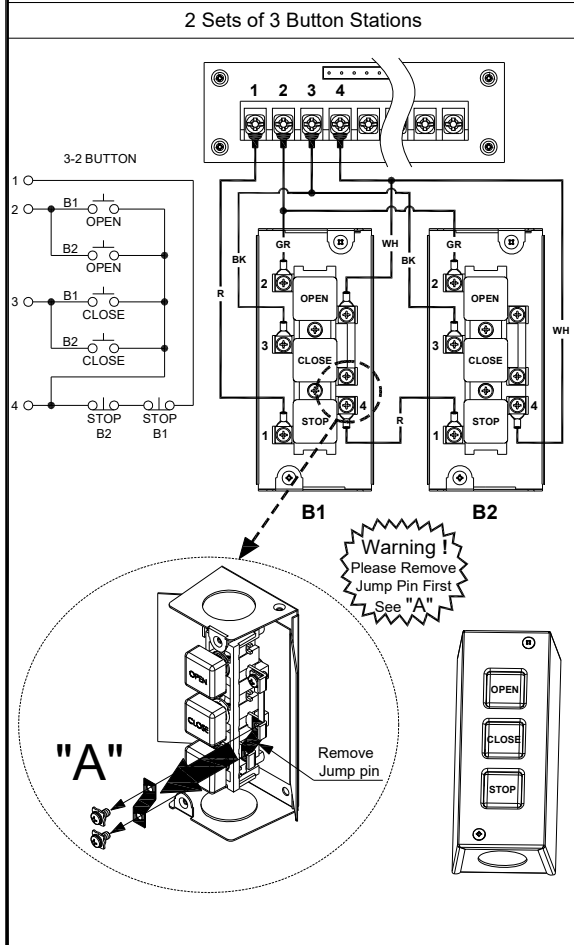
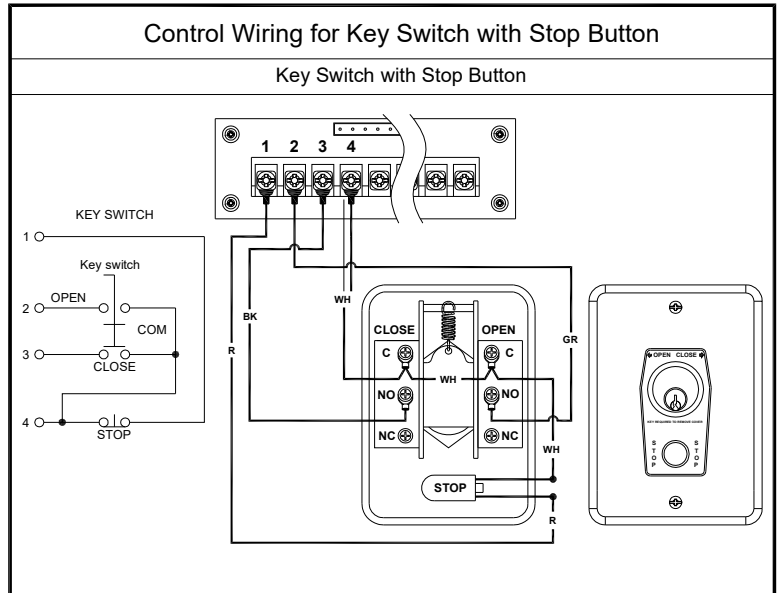
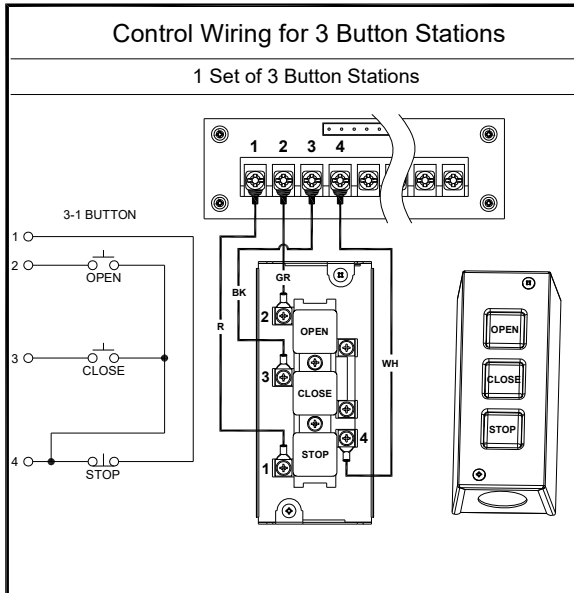
QST-SGN4-SB-ADAPTER-1



# APPENDIX 2: Control Connections Diagrams

## Control Connections Diagrams

CCD-PCB-A01



# APPENDIX 3: Control Connections Diagrams

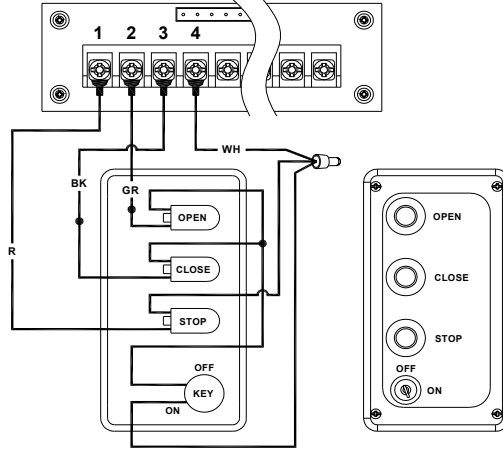
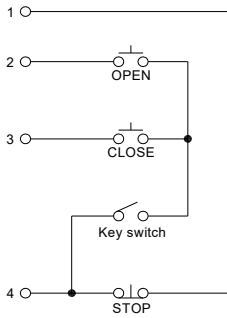
## Control Connections Diagrams

CCD-PCB-B02

### Wiring 3 Button Stations With Key Lockout

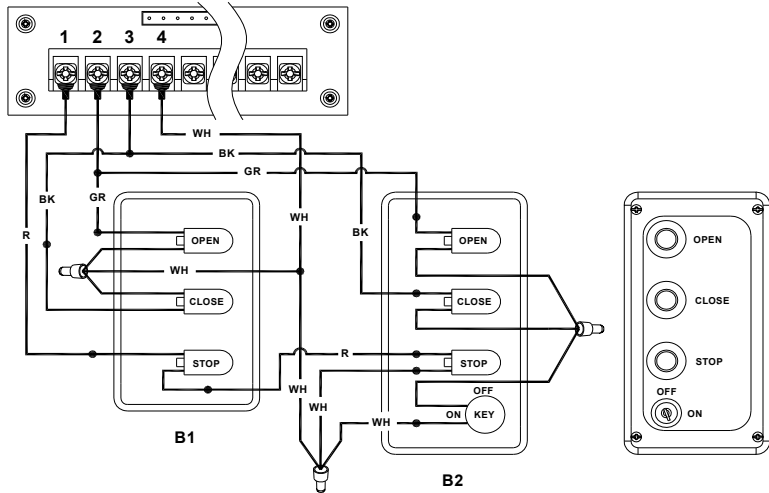
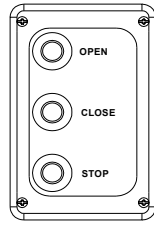
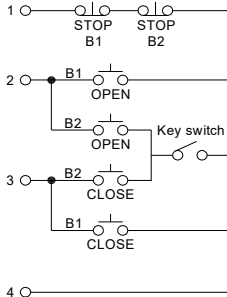
1 Set

KEY LOCKOUT 3 BUTTON

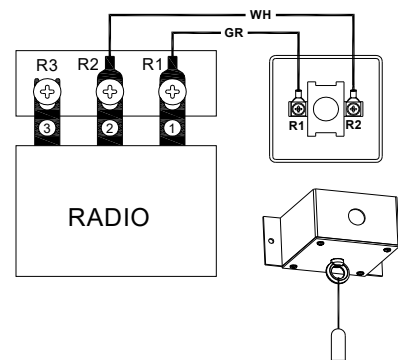
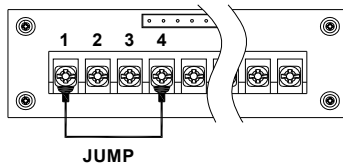
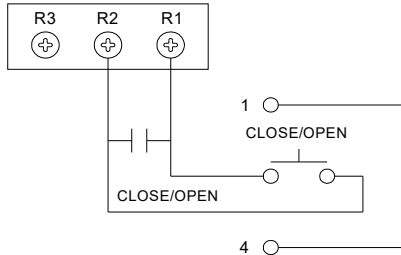


### With and without key lockout

KEY LOCKOUT 3-2 BUTTON



### Ceiling Pull Switch Station

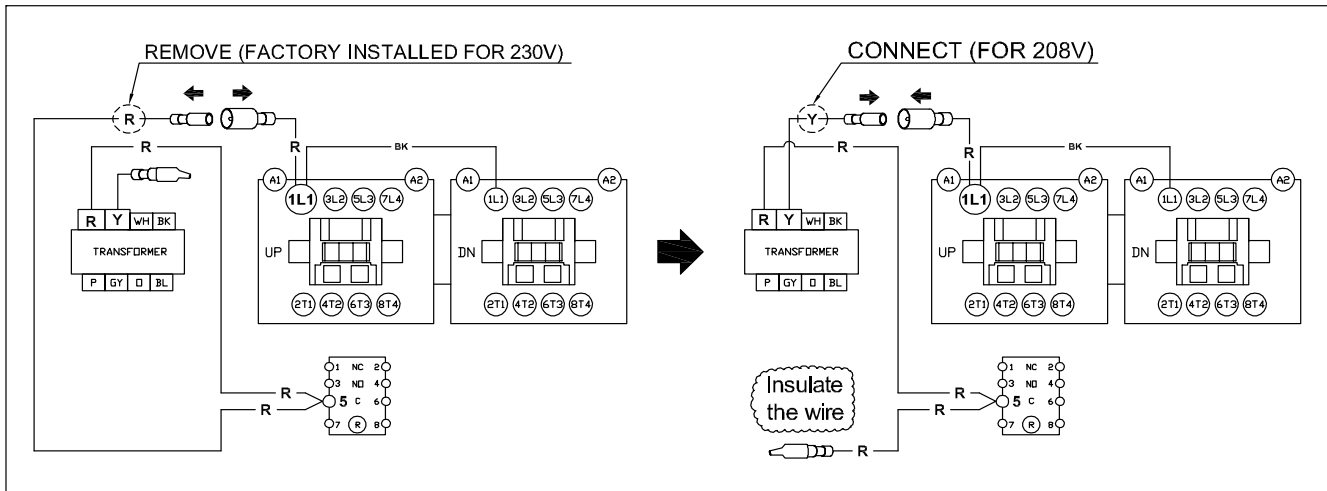


# APPENDIX 4: Wiring Change Instruction from 230V to 208V 3 Phase Operator

## Wiring Change Instruction from 230V to 208V 3 Phase Operator

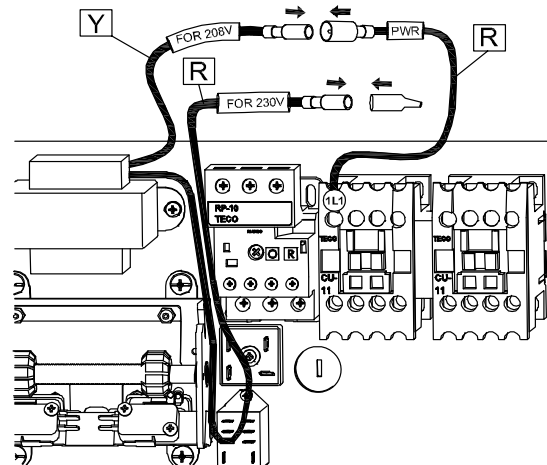
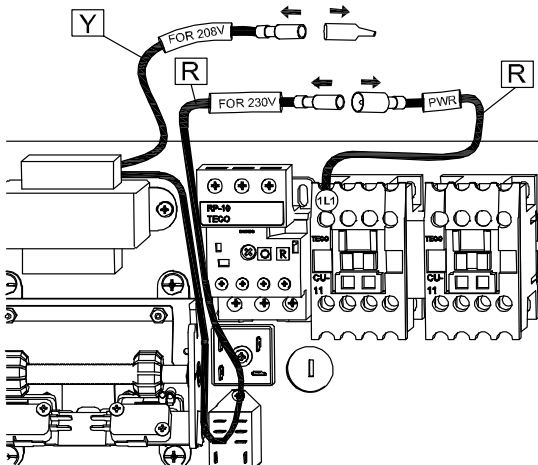
Smart SG E Series

SG-SB-3P-V04



1. Unplug the red "230V" wire connector from the red "PWR" wire connector. Remove the insulating cap from the yellow "208V" wire connector.

2. Put the insulating cap on the red "230V" wire connector. Plug the yellow "208V" wire connector into the red "PWR" wire connector.



3. Completed.

