

# FIRE RATED COUNTER DOOR

Models ERC10 & ERC11 (SmokeShield®)



## STREAMLINED FIRE PROTECTION AND STYLE

### REFINED FIRE PROTECTION

Our new Counter Fire Door raises the bar for advanced fire protection. Intensely engineered, our Counter Fire Door features the smallest footprint of any counter fire door available and is the only counter fire door available with smoke gasketing integrated into the guides for most common sizes. Our new Counter Fire Door is a testament to our heritage of dependable fire protective solutions, delivering reliable performance and seamless design integration.

### NEXT-GENERATION FEATURES

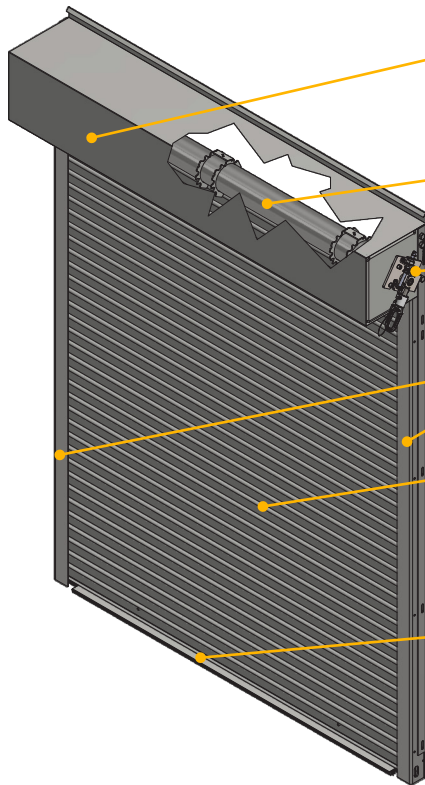
Our Counter Fire Door is a UL labeled fire protective with listing labels to three hours and available with our failsafe AlarmGard® in-tube motor or our exclusive in-tube crank operator. Our S labeled SmokeShield® systems are tested to UL 1784 standards, stopping smoke migration and helping to ensure safe egress.

### MAKE A BOLD IMPACT.

Our Counter Fire Door sets new standards in design and operation. Low-profile tubular operators are hidden within a compact coil box with standard endcaps hiding the end assemblies. Color matching bottom bars tuck flush into the headbox when opened for a clean, soffit-like appearance. Uniform, color-matched fasteners, and hidden smoke gasketing give our Counter Fire Door a sleek and polished aesthetic. The Counter Fire Door is available in galvanized or stainless steel, and you can complete your design with our vibrant palette of RAL powder coat colors and protective finishes.

## FIRE PROTECTIVE CLOSURES **FIRE RATED COUNTER DOOR Models ERC10 & ERC11**

### STANDARD COMPONENT MATERIALS AND FINISHES



**HOOD** - Galvanized steel with GalvaNex™ polyester enamel finish to match curtain. Encloses the curtain and provides fire protection at the head of the door.

**SHAFT** - Steel. Supports curtain and contains torsion springs for assisting operation.

**BRACKETS** - Steel with powder coating to match curtain. Bolt to guide assembly and support counter-balance shaft and curtain.

**GUIDES** - Steel with powder coating to match curtain. Guide assemblies bolt to the wall and support the entire weight of the unit.

**CURTAIN** - Galvanized steel with GalvaNex™ polyester enamel finish in Gray, Tan, or White. Interlocking roll-formed flat-faced slats with galvanized steel end locks riveted to the slats to maintain curtain alignment and prevent wear.

**BOTTOM BAR** - Steel with SpectraShield® powder coating to match curtain. Reinforcing member attached to the bottom of the curtain with a vinyl astragal seal. Locking mechanisms available.

### OPERATION AND STRUCTURAL REQUIREMENTS

#### Hand-crank, push-up and a variety of motor options are available

This product is supported by a guide assembly attached to the jamb construction. No additional header support is required unless hood supports are mandated by a larger opening width.

### OPTIONAL MATERIALS AND FINISHES

- ▶ Stainless steel - 300 series in #4 finish
- ▶ SpectraShield® Powder Coating in more than 180 colors
- ▶ For a more durable finish, consider upgrading to our Galvanex™ Ultra™ or SpectraShield® Ultra™ powder coat finish.
  - It is a polyester based textured wear resistant clear coat that provides increased resistance to corrosion of the curtain and improved durability against normal abrasion and scratching due to cycling.

#### Brackets, Guides and Bottom Bar

- ▶ Hot-dip galvanizing on steel components
- ▶ Zinc-enriched, corrosion-resistant powder coating in Gray



### CUSTOM-DESIGNED SOLUTIONS

Contact our experienced Architectural Design Support Team for help in customizing our products to fit your specific application.

 [www.architectdoorhelp.com](http://www.architectdoorhelp.com)