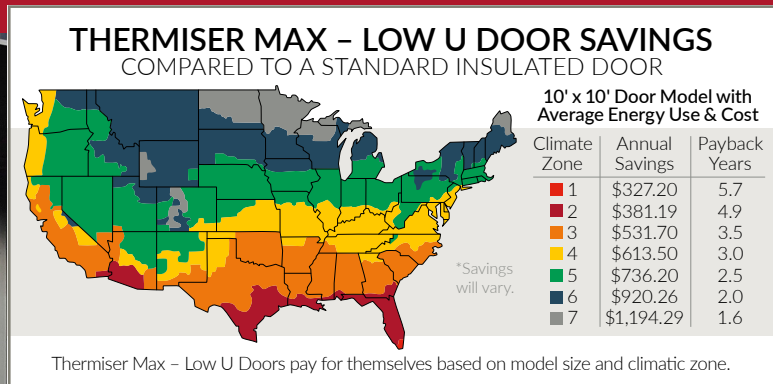


INSULATED ROLLING DOOR

# THERMISER MAX<sup>®</sup> - LOW U DOOR

Model ESD40



## YOUR CLEAR CHOICE FOR ENERGY EFFICIENCY

### U-FACTOR CERTIFIED THERMAL PERFORMANCE.

Energy savings and a more comfortable indoor environment are just a few of the benefits of Thermiser Max<sup>®</sup> - Low U Door. Its design features mineral wool insulation and a CPVC backer, offering a U-factor rating of 0.532 for the full assembly.\* By undergoing third-party U-factor testing, Thermiser Max Low-U Door carries the industry's most accurate measurement of thermal performance.\*\*

### DESIGNED FOR RUGGED APPLICATIONS.

The Thermiser Max - Low U Door operates quietly and is ideal for exterior applications where climate control is critical, including warehouses and heavy equipment storage facilities. An insulated curtain, patented perimeter seal and thermally-broken guide construction work to minimize the speed of heat transferred through the door assembly.

*CPVC backer, offers a U-factor rating of 0.532 for the full assembly.*



### MORE THAN MEETS THE EYE.

Along with its standout thermal performance, the Thermiser Max - Low U insulated door has another perk. The door carries a Sound Transmission Rating (STC) of up to 27 for the full assembly, offering control over exterior and interior noise levels. Doors meet ASHRAE<sup>®</sup> 90.12, IECC<sup>®</sup> 2021 and California's Title 24 air infiltration requirements with an independently tested value of less than 0.3 CFM/ft<sup>2</sup>.

*\*Options such as windows, pass doors, etc. may impact U-factor. Contact factory for details on specific configurations.*

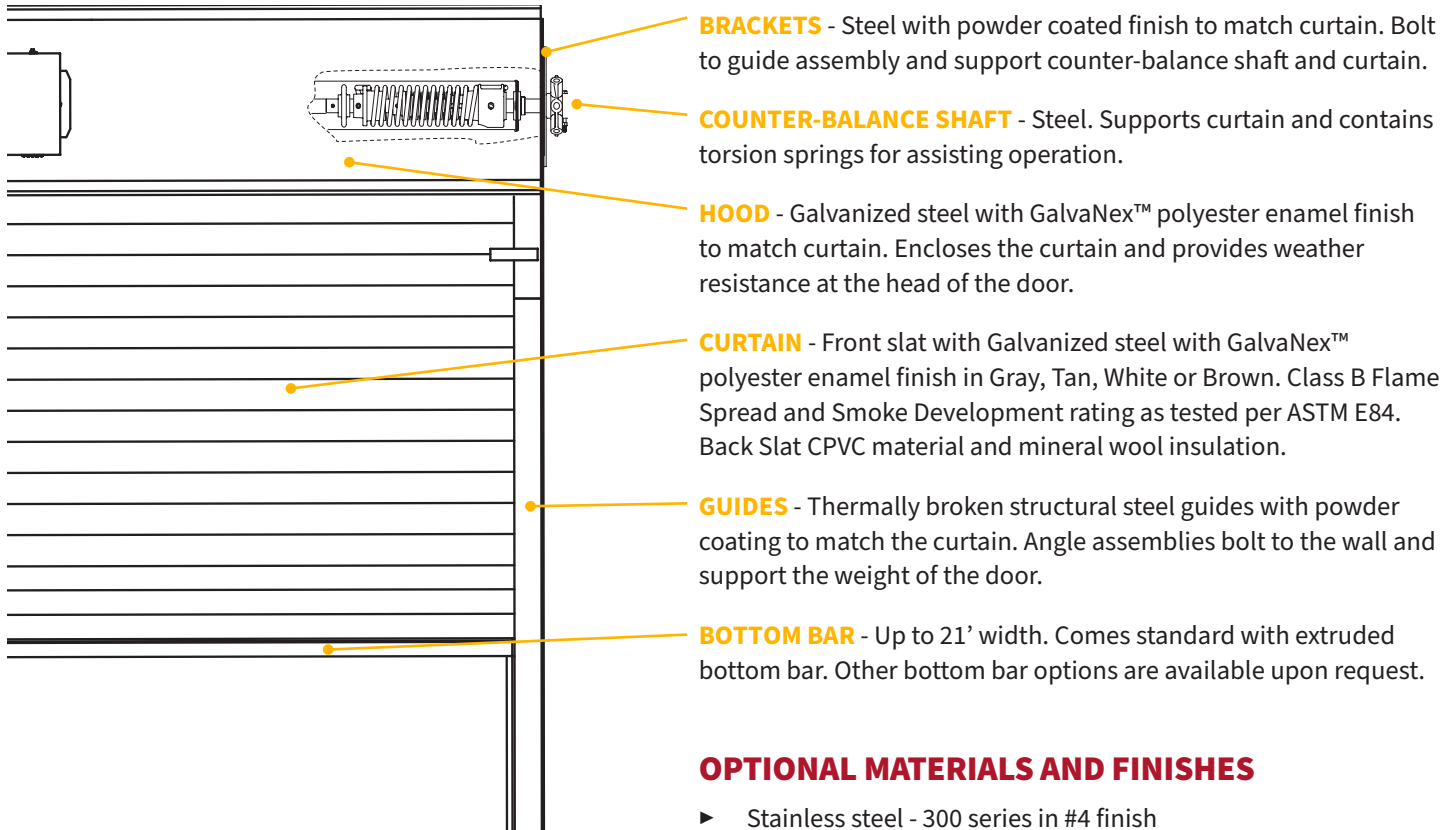
*\*\*Thermiser Max seal package required to meet.*

800.294.4358 | [cooksondoor.com](http://cooksondoor.com)

CornellCookson, LLC. is an ISO 9001:2015 registered company  
01.2025

Preferred door solutions.<sup>®</sup>  
**COOKSON**

## STANDARD COMPONENT MATERIALS AND FINISHES



## OPERATION AND STRUCTURAL REQUIREMENTS

**Hand chain, hand crank and a variety of motor options are available.**

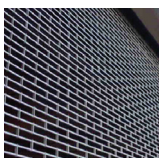
This product is supported by a guide assembly attached to the jamb construction. No additional header support is required unless hood supports are mandated by a larger opening width. This door can be configured to offer a static wind load of up to 120 psf.

## OPTIONAL MATERIALS AND FINISHES

- ▶ Stainless steel - 300 series in #4 finish
- ▶ SpectraShield® Powder Coating in more than 180 colors
- ▶ For a more durable finish, consider upgrading to our GalvaNex™ Ultra™ or SpectraShield® Ultra™ powder coat finish.
  - It is a polyester based textured wear resistant clear coat that provides increased resistance to corrosion of the curtain and improved durability against normal abrasion and scratching due to cycling.

### Brackets, Guides and Bottom Bar

- ▶ Hot-dip galvanizing on steel components
- ▶ Zinc-enriched, corrosion-resistant powder coating in Gray



## CUSTOM-DESIGNED SOLUTIONS

Contact our experienced Architectural Design Support Team for help in customizing our products to fit your specific application.

 [www.architectdoorhelp.com](http://www.architectdoorhelp.com)