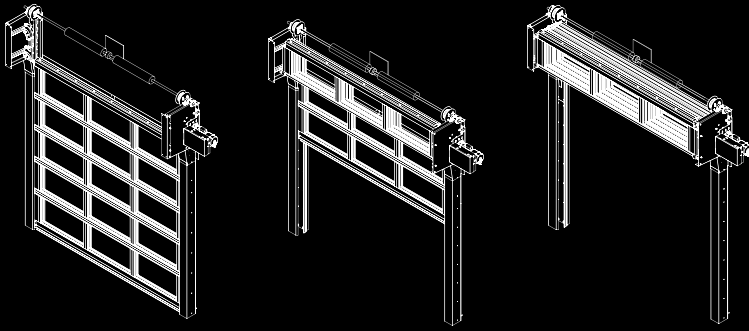


VertiStack® Clear Door

Model VS904N



Scan QR code to see VertiStack in action!

UNIQUE COMPACT DESIGN

The VertiStack Clear Door utilizes unique, compact stacking panels that take up minimal ceiling space, so it won't interfere with mechanical, electrical or plumbing fixtures. Vertically stacked panels with minimal projection off the wall allow for a clear and open ceiling. The sections can even be recessed into the ceiling if desired. Designed to operate smoothly and quietly, the door will not disturb patrons when operating.

Compact Vertical Stacking Enables Clean Aesthetic

EXPAND YOUR FOOTPRINT

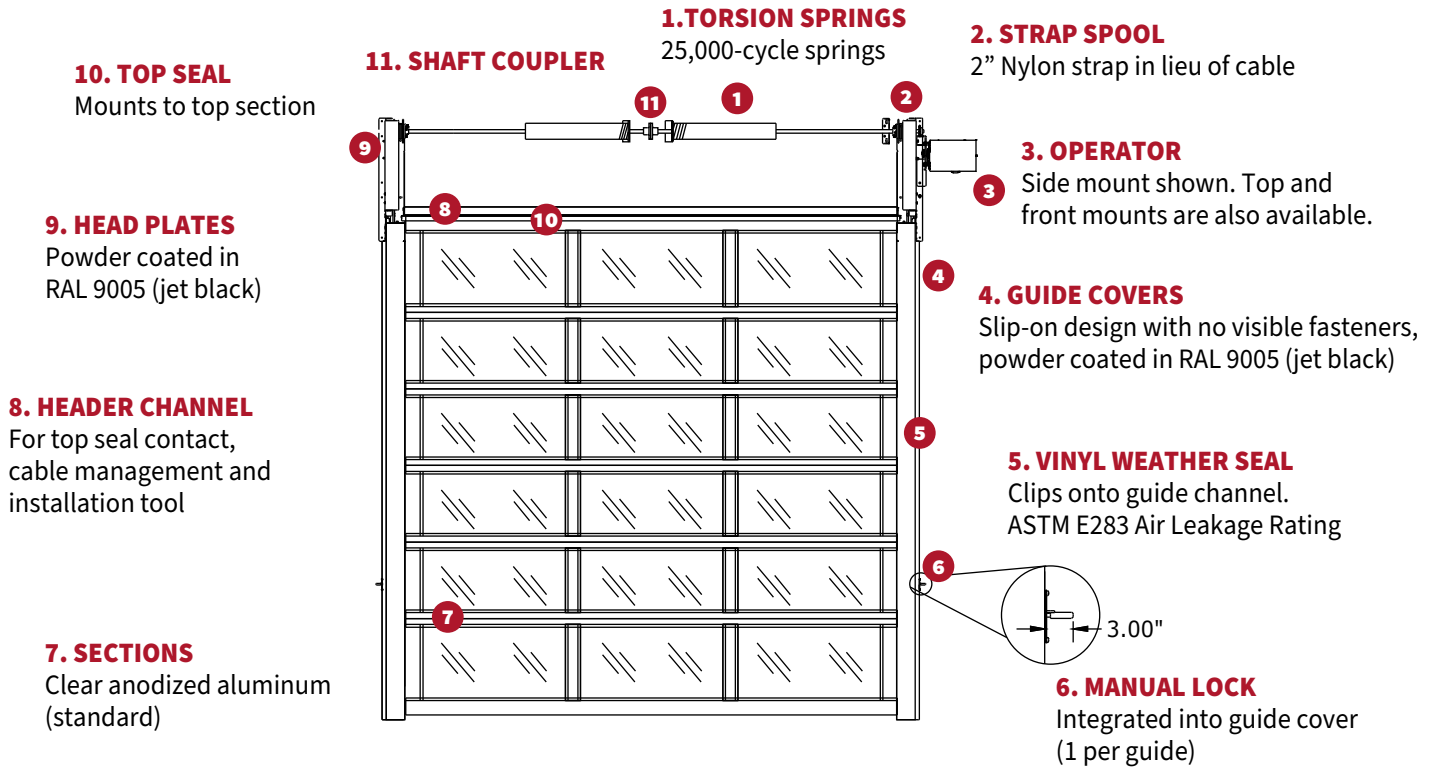
VertiStack Clear Door allows you to bring the outside in. When the door is open, indoor seating can be extended to the outside areas, inviting a state of flow between interior and exterior spaces. When the door is closed, the glass panels let in ample sunlight to offer warm hospitality. The built-in gaskets between sections make the door IECC compliant for air infiltration, keeping patrons comfortable and reducing energy usage.

CLEAR AESTHETICS

VertiStack Clear Door offers a sleek design with minimal lines and angles. A clean, modern look from inside and out with aesthetic appeal is created, since VertiStack Clear Door has no visible hinges or exposed track or cable. Available in a variety of glass, acrylic and polycarbonate options, VertiStack Clear Door also offers choices for customizable color and finish, giving designers free rein and flexibility to match or enhance any aesthetic.



STANDARD COMPONENT MATERIALS AND FINISHES



OPERATION AND STRUCTURAL REQUIREMENTS

Motor operation required. For interior mount only.

The standard VertiStack Clear Door operator includes an auxiliary hand chain for emergency use only. This product is supported by a guide assembly attached to the jamb construction. Header support is required for mounting counterbalance system as would be required with any standard sectional door. Adding an optional hood to a wider door may require hood supports.

OPTIONAL GLASS AND FINISHES

- ▶ A variety of glass and acrylic panels are available, including tempered, insulated, frosted, and Low-E options available. Glass thickness available in 1/8", 1/4" and 1/2". Tri-wall polycarbonate thickness available in 5/8".
- ▶ Anodized finishes: clear, black, bronze, dark bronze
- ▶ Paint finishes: chocolate, white, bronze

AVAILABLE SAFETY FEATURES

- ▶ Photo eye sensors (concealed by guide covers)
- ▶ Wireless sensing edge
- ▶ Strap brake safety system

For Commercial Applications Only

CERTIFICATIONS AND LISTINGS

- ▶ ±25 PSF Design Pressure
- ▶ Meets ASHRAE® 90.1 Title 24 and IECC® (International Energy Conservation Code) 2021 Section C406.9 Air Infiltration requirements with an independently tested value of 0.2 cfm/ft²
- ▶ U-Factor as low as .76

CUSTOM-DESIGNED SOLUTIONS

Contact our experienced Architectural Design Support Team for help in customizing our products to fit your specific application.

 www.architectdoorhelp.com