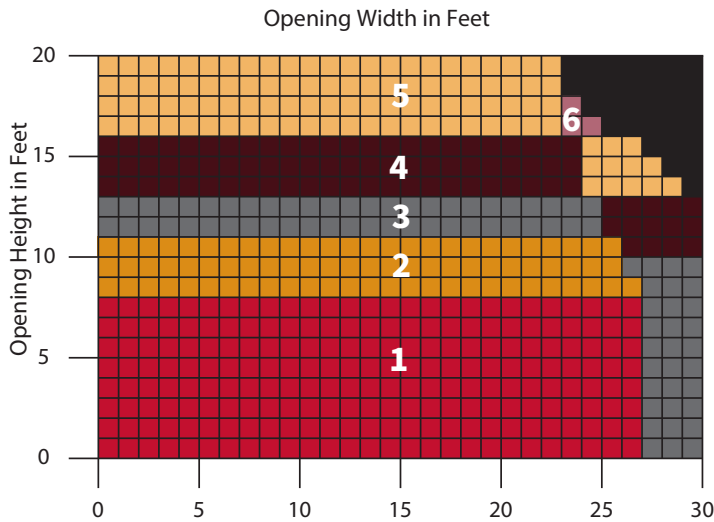


EXTREME® 1024 HIGH PERFORMANCE DOORS

Models EPD1024 and EPI1024 (insulated)

MEASURE THE WIDTH AND HEIGHT OF THE OPENING

NON-INSULATED DOOR SIZE AND AREA



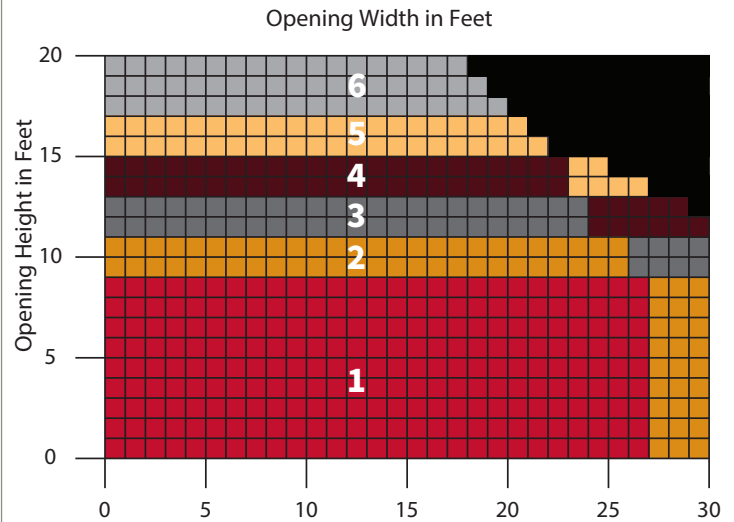
COMPONENT DIMENSIONS

Reference the zone number to view component dimensions.

Zone	A	B	C	D
1	19	19	9	14
2	20	20	9	14
3	21	21	9	15
4	22	22	9	15
5	23	23	9	16
6	24	24	9	16

Dimensions in Inches

INSULATED DOOR SIZE AND AREA

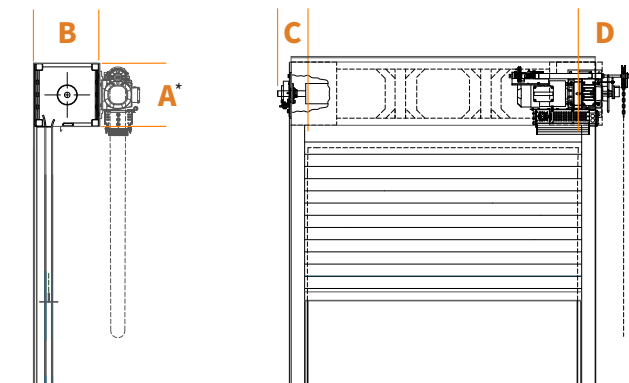


COMPONENT DIMENSIONS

Reference the zone number to view component dimensions.

Zone	A	B	C	D
1	20	21	10	14
2	22	23	10	14
3	24	25	10	15
4	26	27	10	15
5	27	27	9	16
6	28	28	9	16

Dimensions in Inches



The dimensions featured on this sheet are provided as a guide. Please visit our website at www.cooksondoor.com/drawings to generate drawings on demand with exact dimensions.

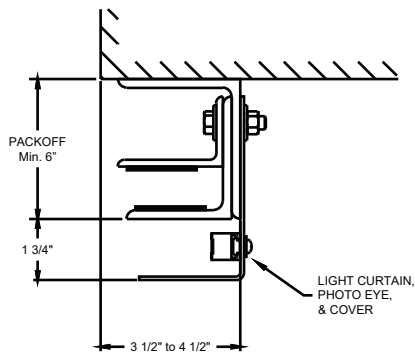
*On smaller coil doors, the operator may exceed the bottom of dimension A. This will not interfere with the door opening.

HIGH PERFORMANCE LINE **EXTREME® 1024 HIGH PERFORMANCE DOORS**
Models EPD1024 and EPI1024 (insulated)

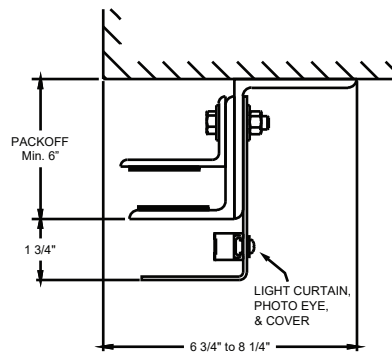
GUIDE CONSTRUCTION OPTIONS

SERVICE DOOR

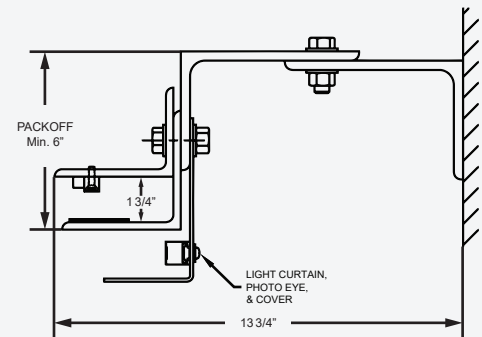
E GUIDE



Z GUIDE



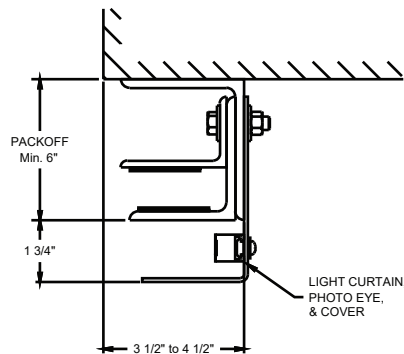
BETWEEN JAMBS



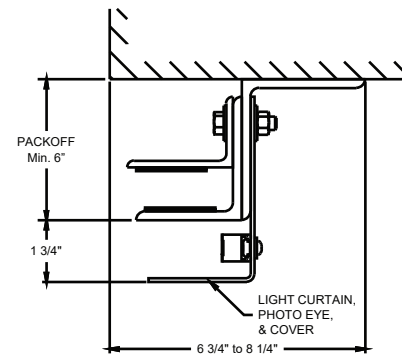
See factory for sizes. May be subject to additional lead times.

INSULATED DOOR

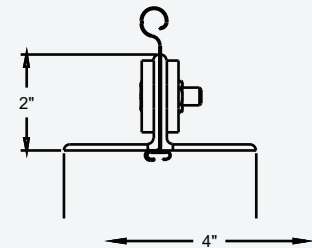
E GUIDE



Z GUIDE



BOTTOM BAR



The dimensions featured on this sheet are provided as a guide. Please visit our website at www.cooksondoor.com/drawings to generate drawings on demand with exact dimensions.

CUSTOM-DESIGNED SOLUTIONS

Our experienced Architectural Design Support Team can customize our products to fit your specific application. Call 800.233.8366 ext. 4551 • architecturaldesignsupport@cornellcookson.com