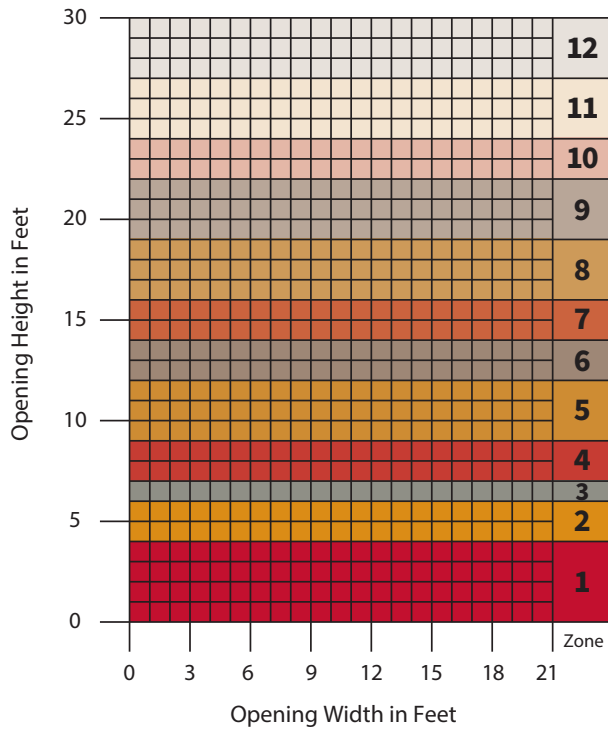


THERMISER MAX[®] - LOW U

Model ESD40

MEASURE THE WIDTH AND HEIGHT OF THE OPENING

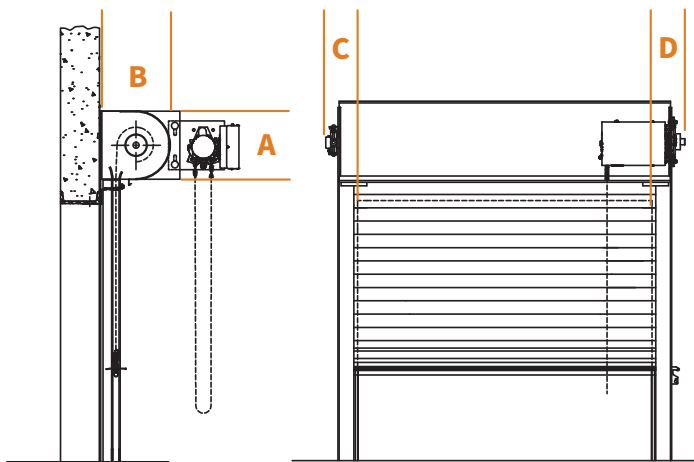
DOOR SIZE AND AREA



COMPONENT DIMENSIONS

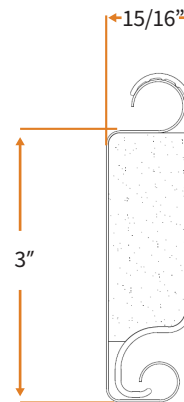
Reference the zone number to view component dimensions for motorized doors.

Dimensions in Inches	1	15	17	7	7
	2	16	18	7	7
	3	17	19	7	7
	4	18	20	7	7
	5	19	21	7	7
	6	20	22	7	7
	7	21	23	7	7
	8	22	24	7	7
	9	23	25	7	7
	10	24	26	7	7
	11	25	27	7	7
	12	26	28	7	7
	Zone	A	B	C	D

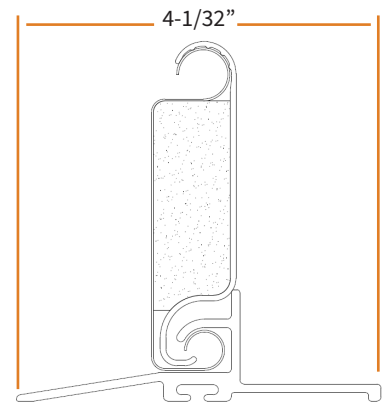


CURTAIN DESIGN

Insulated Slat



BOTTOM BAR



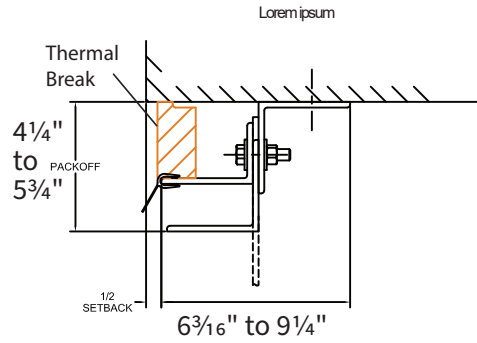
The dimensions featured on this sheet are provided as a guide. Please visit our website at www.cooksondoor.com/drawings to generate drawings on demand with exact dimensions.

INSULATED ROLLING DOOR **THERMISER MAX® - LOW U**

GUIDE CONSTRUCTION OPTIONS

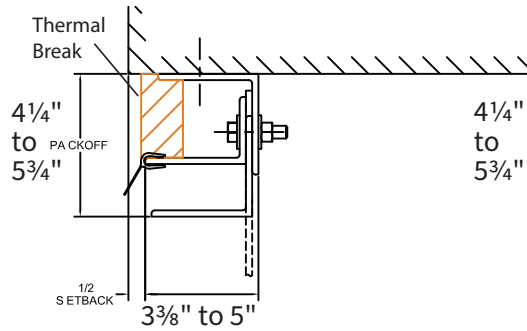
FACE OF WALL Z

Typically used with masonry wall construction, guides are mounted to the interior side of the wall.



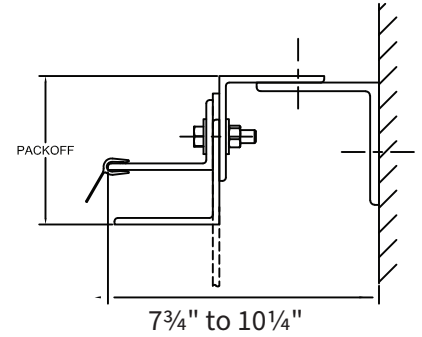
FACE OF WALL E

Typically used with steel jambs, guides are mounted to the interior side of the wall.

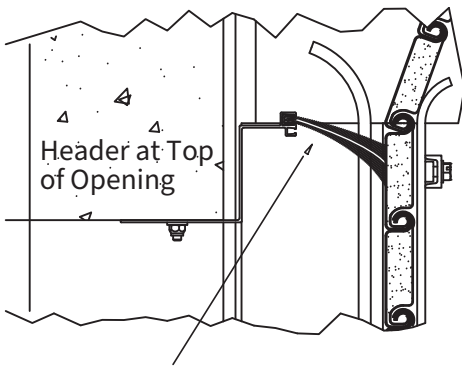


BETWEEN JAMBS

Used when side clearance is minimal, guides are mounted to the inside of the jamb.

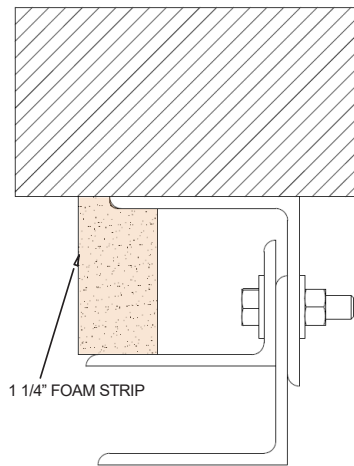


LINTEL SEAL BRUSH



Rubber Seal Sandwiched by a Double Lintel Seal Brush Contacting the Door Curtain.

FOAM BLOCK



Sound Transmission Class (STC) rating is 27 for a full door when configured with 18GA steel front slats. Please contact the factory for details.

Air Infiltration value of less than .3 CFM/FT².

U-factor of Therm Max Low-U is 0.532.*

Calculated using the ASHRAE Handbook of Fundamentals, tested per DASMA-105 by a third party.

**Options such as windows, pass doors, etc. may impact U-factor. Contact factory for details on specific configurations.*

The dimensions featured on this sheet are provided as a guide. Please visit our website at www.cooksondoor.com/drawings to generate drawings on demand with exact dimensions.

CUSTOM-DESIGNED SOLUTIONS

Our experienced Architectural Design Support Team can customize our products to fit your specific application. Call 800.233.8366 ext. 4551 • architecturalsupport@cornellcookson.com

800.294.4358 | cooksondoor.com

CornellCookson, Inc. is an ISO 9001:2015 registered company

9.2024

COOKSON Preferred door solutions.®