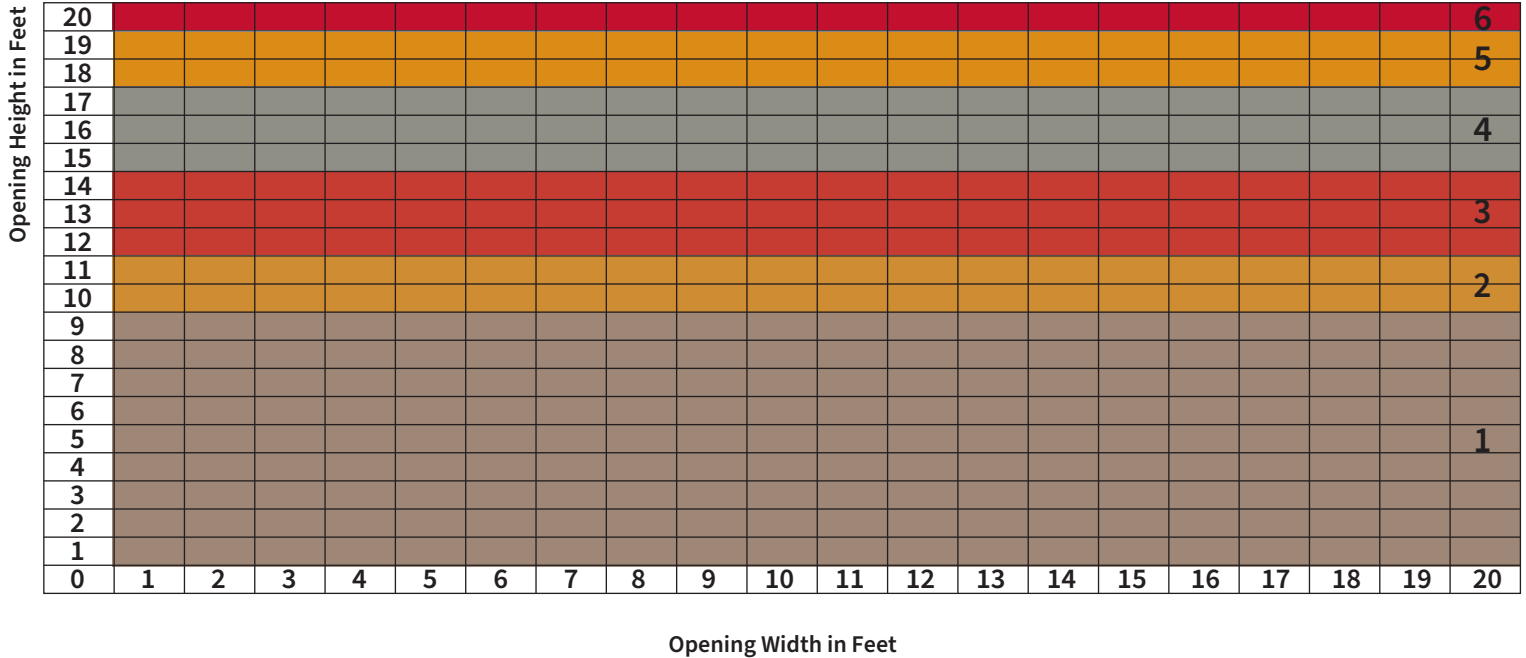


# CROSSINGGARD® DOOR WITH THREATPROTECT™

Model ERD-TP

## MEASURE THE WIDTH AND HEIGHT OF THE OPENING

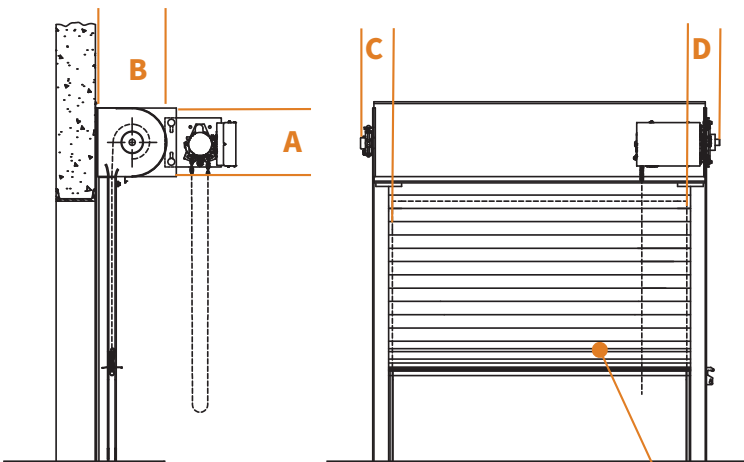
### SERVICE DOOR SIZE AND AREA



### COMPONENT DIMENSIONS

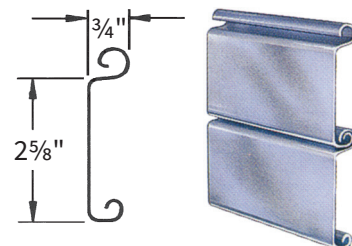
Dimensions in Inches	6	19	21	10	7
5	18	20	10	7	7
4	17	19	10	7	7
3	16	18	10	7	7
2	15	17	10	7	7
1	14	16	9	6	6
Zone	A	B	C	D	

Reference the zone number to view component dimensions for motorized doors.



The dimensions featured on this sheet are provided as a guide. Please visit our website at [www.cooksondoor.com/drawings](http://www.cooksondoor.com/drawings) to generate drawings on demand with exact dimensions.

### CURTAIN SLAT DESIGN

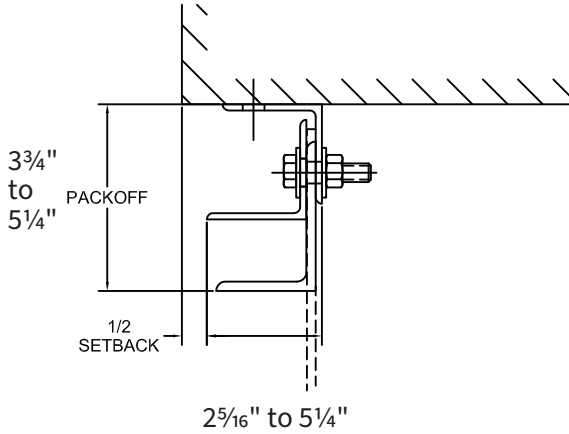


**GUIDE CONSTRUCTION OPTIONS**

**FACE OF WALL**

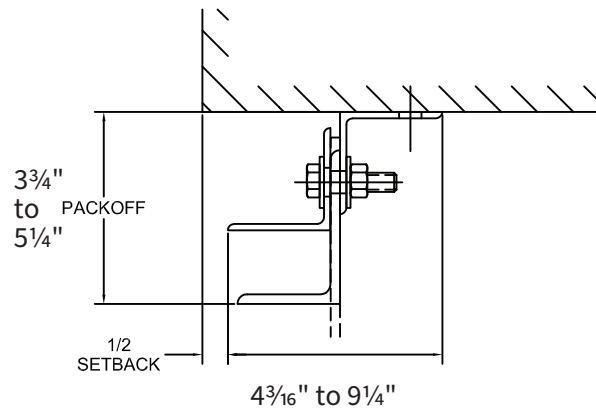
**E GUIDE**

Typically used with steel jamb



**Z GUIDE**

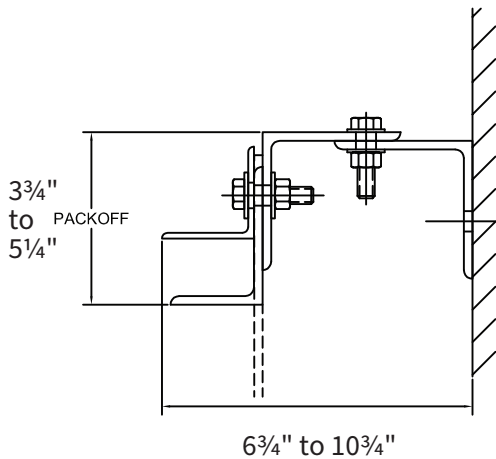
Typically used with masonry wall construction



**BETWEEN JAMBS**

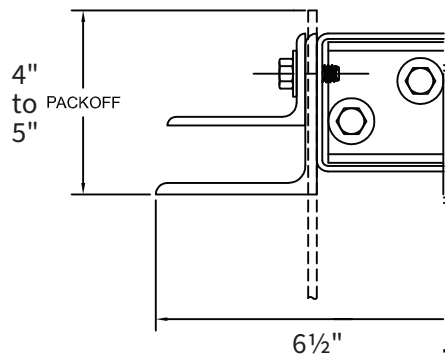
**4 ANGLE**

Most common for doors with chain/crank/motor operation



**2 ANGLE - TUBES**

Typically used if there's no wall support, or tubes and guides need to be recessed within the wall construction



Remember, three main factors when choosing a guide assembly are:

1. Wall construction
2. Operation
3. Side clearance

The dimensions featured on this sheet are provided as a guide. Please visit our website at [www.cooksondoor.com/drawings](http://www.cooksondoor.com/drawings) to generate drawings on demand with exact dimensions.

**CUSTOM-DESIGNED SOLUTIONS**

Our experienced Architectural Design Support Team can customize our products to fit your specific application.

Call 800.233.8366 ext. 4551 • [architecturaldesignsupport@cornellcookson.com](mailto:architecturaldesignsupport@cornellcookson.com)